

FastTest[®]

Your Productivity Connection

Leak Test Connector Selection Guide



FastTest[®]

Your Productivity Connection

Introduction to FasTest

Leak Testing Today ...

Since 1985, **FasTest** advanced engineering creates connecting solutions that are easier, safer and more reliable while dramatically lowering your operating costs. With **FasTest**, you can expect increased operational throughput and a fast return on your investment.

Tens of thousands of satisfied customers have made the switch from their inadequate, unproductive leak test connectors to our engineered testing and filling solutions.

FasTest products are used by every major automotive manufacturer, top appliance companies, medical device manufacturers, aerospace, power generation, plus hundreds of other industries throughout the world.

Our complete selection of engineers products combined with extensive experience and expertise allows us to help you specify the right connector for your application. Small differences can diminish the suitability of a connector for your application. At **FasTest** we can modify standard products to fit your specific needs or engineer a total custom test system.

Helpful Hint ...

Cumbersome leak testing methods using jury-rigged adapters, fittings and test jigs is time-consuming, unreliable and may be unsafe to your workers.

FasTest connecting tools are available in many configurations - each precision engineered to perform specific pressure and vacuum test and built to fit your testing and process requirements.

FasTest offers extensive expertise to help you arrive at the optimum solution for your application and workflow. With over 50 patents and as the acknowledged expert in the field, chances are we've solved an application like yours, no matter how challenging.

Do as thousands of others have done. Make the switch from older inadequate or homemade jury-rigged adapters to **FasTest** engineered testing and filling solutions.

Seal Materials ...

Selecting the right seal material is critical to the reliability of the connector and the amount of maintenance required. **FasTest** manufactured seals exhibit superior wear resistance and maintain its sealing properties.

FasTest offers neoprene, urethane, Viton, EPDM, Buna-N, and FDA white neoprene. Our seals are manufactured via **FasTest** proprietary process which is why our seals are more durable, longer lasting and create a better leak tight connection.



**"FI" & "FE" Series
Automated Tube / Thread**



Tech Info Page A4

**FasTest Internal "FI"
Automated Tube / Thread**



Internal "FI" Pages A11 - A15

**FasTest External "FE"
Automated Tube / Thread**



External "FE" Pages A16 - A22

**"ME" & "ML" Medical Series
Automated Tube / Luer**



Pages B1 - B4

**Electronic Tool System - ETS
Automated Tube / Thread**



Pages C1 - C14

**"MIT" & "MET" TwistMate Series
Twist to Connect - Threads**



Pages D1 - D16

**"FN" FasMate Series
for Internal Threads**



Pages E1 - E11

**"JNL" & "JXL" Series, Grip and Seal
Smooth Tube Connectors**



Pages F1 - F6

**"ST" & "XT" Series, Grip and Seal
Smooth and Formed Tubes**



Pages G1 - G3

**"60" Series & "HPB" Series
Sleeve Actuated for Threads**



Pages H1 - H3

**Custom Connector Applications
Fittings, Tubes and More**



"MBE" Series

"70" Series

"FIG" Series

Pages J1 - J6

Web Tools Search Tips:
Connectors, Replacement
Seals and Instructions, etc.

Pages B4, D16, F6, G3, K7-K8

Custom App Form Page J6
Index Page K1
ReConnect Page K9
Warranty Page K9

*See section pages for
detailed selection guides

FI - FE

ME - ML

ETS

TwistMate

FasMate

JNL - JXL

ST - XT

60 - HPB

Custom

Index



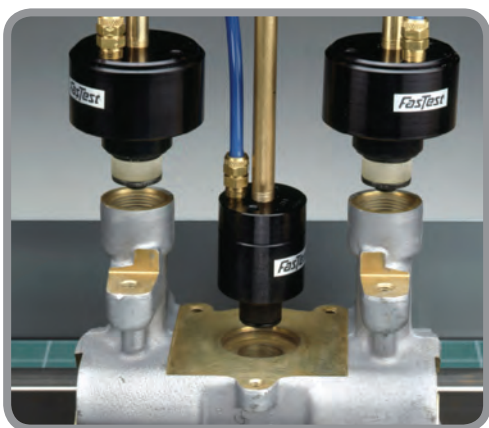
“FI” and “FE” - Automated Tube and Thread Connectors

Technology Overview

The **FasTest “FI” Internal** and **“FE” External** connectors provide fast, leak free connections for pressure and vacuum testing, fluid filling and flushing. The connectors are air-actuated and are ideal for automation to accommodate high volume production testing. Capable of sealing conventional and nonstandard surfaces, connects to any tube or pipe, smooth or thread.

Compressed air activates the elastomeric seals. Uniform seal movement makes a virtually leak-proof connection, even over threaded, rough and oily surfaces. Testing, filling or flushing of the test piece is accomplished by introducing media through the **FasTest** connector.

	Contents	Page(s)
	Tech Info	A4-A10
Tubes	Neoprene	A11
	Urethane	A12
Threads	NPT, BSPP, BSPT	A13
	SAE O-ring	A14
	Metric	A15
Tubes	Neoprene	A16
	Urethane	A18
Threads	NPT, BSPP, BSPT	A20
	Male Inch Straight	A21
	Male Metric Straight	A22



“FI” Connectors for Internal Tubes / Female Threads



“FE” Connectors for External Tubes / Male Threads



“FI” and “FE” - Automated Tube and Thread Connectors

FI - FE

Sealing Materials

FasTest offers many elastomer materials and durometers for the **FE** and **FI** connectors that are readily available to satisfy a wide variety of testing conditions and seal life requirements. 40 durometer Neoprene is the recommended sealing material for general testing applications. Neoprene provides excellent seal life and sealability for low abrasion applications, has good compression set characteristics and a temperature range

of -40° to 250°F. 60 durometer Urethane seals should be used for high abrasion (threads), high test pressure and high cycle duty applications. Urethane also has good resistance to petroleum oils. Additional elastomer formulations available for special temperature and test requirements are: Buna N, Fluorocarbon (Viton), EPDM and FDA White Neoprene.

Test Piece Surfaces

FE and **FI** connectors are designed to seal various types of surface conditions that may exist on the part or component to be tested. Test piece connection surfaces may be smooth, porous, out-of-round or threaded. In addition, the test connection end may be flared, beaded, swaged or have a formed end profile.



Test Fixture Requirements

FasTest strongly recommends the **FE** and **FI Series** pneumatic operated connector and test piece be secured during pressure testing with a mechanical grip or fixture. The **FE** and **FI Series** are sealing only connectors and possess limited gripping capabilities. For vacuum testing, it is not necessary to secure the test piece or connector.

The **FE** or **FI** connector must be secured to the test piece with a mechanical or other device to assure the connector is not uncoupled from the test piece by the uncoupling force of the test itself. The securing or holding device may be a fixture, clamp, cylinder or other appropriate means that prevents ejection of the test piece from the connector.

Custom Test Connectors

Custom **FE** and **FI** connectors designed to a specific customer’s requirements are available from **FasTest** to accommodate limited clearance, various profiles, surface conditions and other application requirements.

Please contact **FasTest** for additional assistance.



“FI” and “FE” - Automated Tube and Thread Connectors

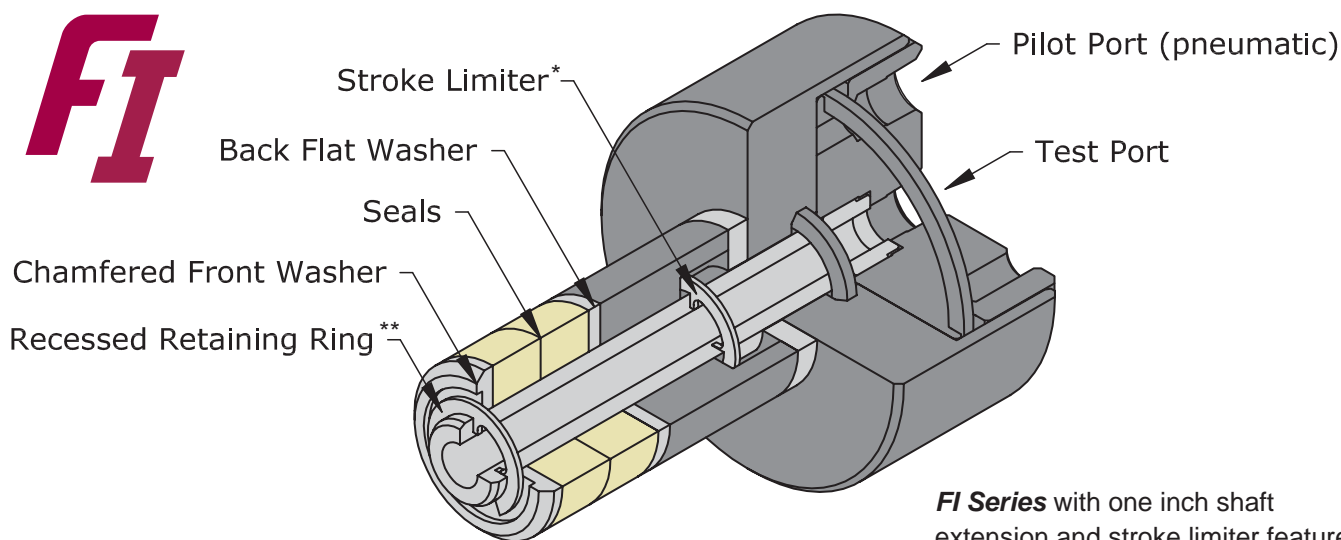
Features and Benefits - “FI Series”

- Automated sealing inside holes and ports 0.310” to 3.005”. Up to 6.00” on request
- Automated sealing of threaded ports 1/8” to 2-1/2” NPT, including BSPP, BSPT, Metric and UNF straight threaded ports
- Vacuum to 120 psi
- Replaceable seals in a range of sizes and materials
- Neoprene and Urethane as standard seal material. Buna N, Fluorocarbon, EPDM and FDA White Neoprene available
- Adaptable for pick and place and delicate robotic material handling applications
- Delicate touch seals thin wall material and will not scratch or mar test piece
- Expert help can evaluate and adapt to your special requirements
- Extended shaft configurations available

Note:

Connectors with extended shafts are designed for sealing remote ports or for applications requiring connectors to be offset rather than side-by-side mounted which may be required when multiple test ports have close center to center distances. The extended shaft increases the distance of the seal from the connector body. 1” and 2” extended shafts are common sizes. The shaft is one piece and must be factory installed. Other size extensions are available per request.

The Technology - “FI Series”



FI Series with one inch shaft extension and stroke limiter feature.

How to Operate:

Step 1 - Insert connector into test piece and secure test piece and connector.

Step 2 - Introduce pilot pressure to active seal.
 Generally, 60 to 90 psi pneumatic pilot pressure.
 Use of minimum required pilot pressure will prolong seal life.

Step 3 - Introduce test pressure:
 Maximum rated test pressure for FI Series models is 120 psi.

* Stroke limit standard feature with 1” and 2” shaft extension option.
 ** Recessed retaining ring standard feature for FI01 thru FI4’s.



For threaded retaining nut option consult factory

“FI” and “FE” - Automated Tube and Thread Connectors

FI - FE

“FI Series” Part Number Key



Series

FI = FasTest Internal
 FIG = FasTest Internal Grip*
 FIH = FasTest Internal Hose*

Metric Version

Blank = NPT ports and UNF mounting
 M = BSPP ports and metric mounting

Replacement Seals

Blank = No replacement seals
 S = Seal set
 B = Bulk pack

Body Size

01 thru 8. See specific part numbers for details

Body Seal Material

Blank = Standard Buna-N
 V = Viton
 E = EPDM

Retainer Style

Blank = Spring retainer
 TR = Threaded retainer

Project Number

Blank = Standard model
 5 digits # = Made to order

Extended Shaft

Blank = Standard model. No shaft extension, no stroke limit.
 0100 = Standard model with 1" shaft extension and stroke limit
 0100NPT = Standard model with 1" shaft extension and stroke limit for threaded port sealing
 0200 = Standard model with 2" shaft extension and stroke limit
 0200NPT = Standard model with 2" shaft extension and stroke limit for threaded port sealing

Seal Material

Blank = Neoprene
 UR = Urethane
 BN = Buna-N
 V = Viton
 S = Silicon
 EP = EPDM

Sealing Range

Blank = Connector without seal set
 0.310" to 3.005". See specific part numbers for details

Notes:

Part Number Keys are to assist in IDENTIFICATION ONLY.
 Verify new part numbers with factory; some configurations are not possible.
 * FIG and FIH - Contact factory for sizing and application assistance.

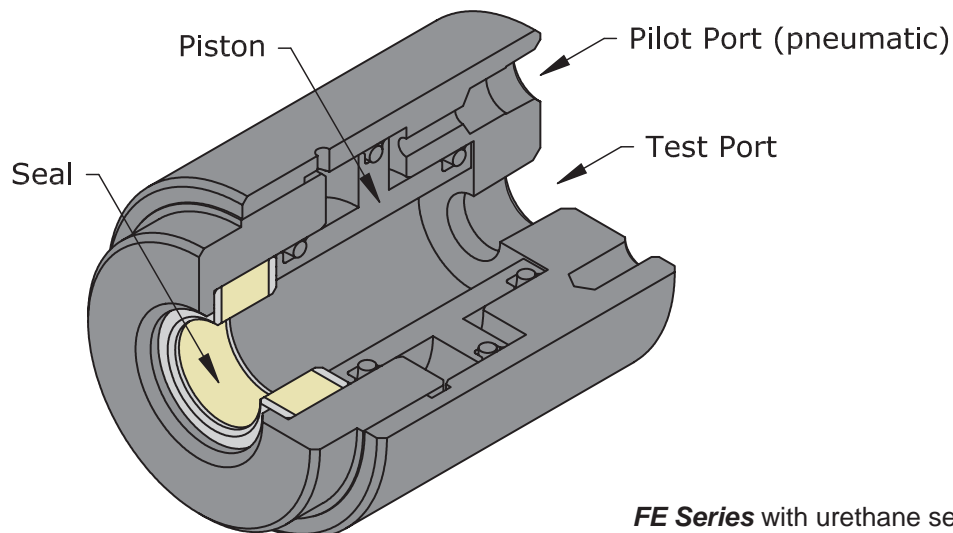


“FI” and “FE” - Automated Tube and Thread Connectors

Features and Benefits - “FE Series”

- Automated sealing over tubes and pipes 0.030” to 5.040”
- Automated sealing over threads 1/8” to 2-1/2” NPT including BSPP, BSPT, Metric and UNF straight threads
- Vacuum to 500 psi
- Replaceable seals in a range of sizes and materials
- Neoprene and Urethane as standard seal material. Buna N, Fluorocarbon, EPDM and FDA White Neoprene available
- Adaptable for pick and place and delicate robotic material handling applications
- Delicate touch seals thin wall material and will not scratch or mar test piece
- Off-the-shelf sealing solutions
- Expert help can evaluate and adapt to your special requirements

The Technology - “FE Series”



FE Series with urethane seal.

How to Operate:

Step 1 - Insert test piece into connector and secure test piece and connector.

Step 2 - Introduce pilot pressure to active seal. Generally, 60 to 90 psi pneumatic pilot pressure for smooth tube applications. 90 to 120 psi for rough case and out-of-round parts.

300 to 600 psi for threaded applications.

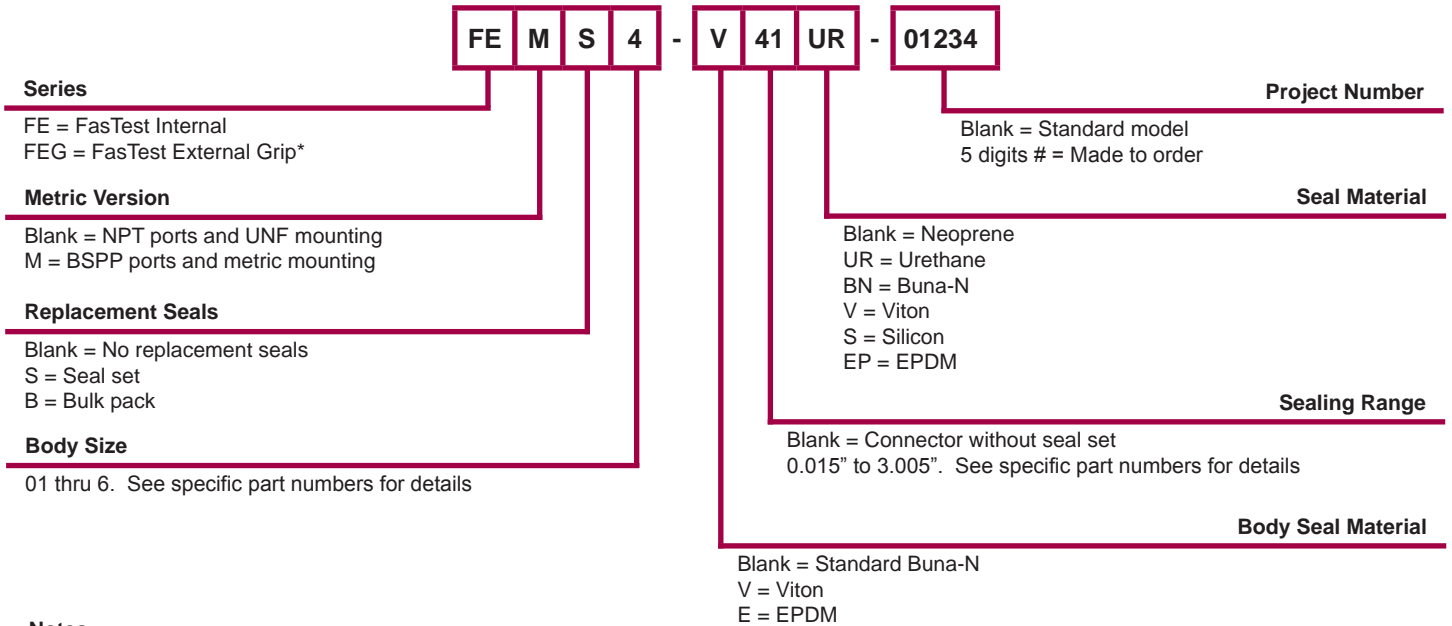
Use of minimum required pilot pressure will prolong seal life.

Step 3 - Introduce test pressure: Maximum rated test pressure for FE Series models is 500 psi.

“FI” and “FE” - Automated Tube and Thread Connectors

FI - FE

“FE Series” Part Number Key



Notes:

Part Number Keys are to assist in IDENTIFICATION ONLY.
 Verify new part numbers with factory; some configurations are not possible.
 * FEG - Contact factory for sizing and application assistance.

“FI” and “FE” - Automated Tube and Thread Connectors

Pilot Booster for Multiple FE Series Connector Applications



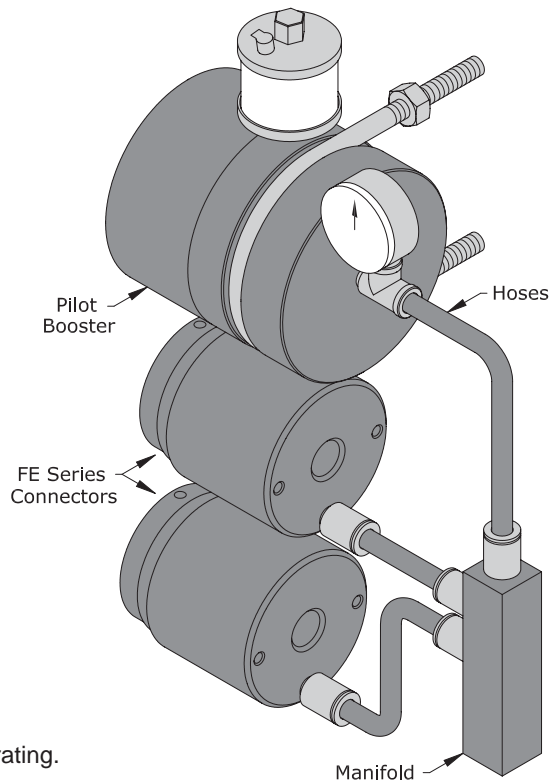
Pilot Booster with Accessory Kit PBA-02

The PB-1015 Pilot Pressure Booster is a pressure intensifier designed to provide the 400 - 600 psi hydraulic pressure for sealing external threads and irregular surfaces with the FE Series Connectors. A sealing system consisting of an FE Connector, urethane main seal and PB-1015 Pressure Booster can produce the seal movement and long life performance needed in production testing applications.

Urethane sealing material is superior to neoprene material in high pressure, high abrasion and high cycle applications. The increased elastomer movement required for sealing irregular shapes or into threads requires urethane seal material. Up to 600 psi pilot pressure is needed to seal deep root external threads. Production testing of threads and hard to seal surfaces can now be automated using the Pilot Pressure Booster and a proper sized urethane seal set in a FE Series Connector.

DO NOT use the booster with the FI Series connectors due to lower pressure rating.

- Uses 30 - 65 psi regulated compressed air to produce up to 600 psi hydraulic pressure
- Simple in-line installation with standard FE Series Connectors
- Safe air over oil pressure intensifier with limited displacement
- Multiple FE Series connector capacity
- Compact, lightweight design 4-1/2" x 4-1/4" body size weighs less than 5 pounds



Pilot Booster, Accessories and Technical Data

Part Number	Description
PB-1015	Pilot Pressure Booster
PBH32	1 quart hydraulic oil, 60 SSU petroleum based
A02M3	Manifold - 1/8" NPT inlet with three 1/8" NPT outlets
A02M4	Manifold - 1/8" NPT inlet with four 1/8" NPT outlets
A02M5	Manifold - 1/8" NPT inlet with five 1/8" NPT outlets
AT021R	Run Tee - 1/8" NPT
H012X036	Hose - 10-32 male x 1/8" NPT male - 36" length
H012X072	Hose - 10-32 male x 1/8" NPT male - 72" length
H022X018	Hose - 1/8" NPT male x 1/8" NPT male - 18" length
H022X036	Hose - 1/8" NPT male x 1/8" NPT male - 36" length
H022X072	Hose - 1/8" NPT male x 1/8" NPT male - 72" length
PBA-01	Accessory Kit for FE01 Connectors 1 qt. oil, 0-600 psi gauge, run tee, 10-32 male x 1/8" NPT male - 72" hose
PBA-02	Accessory Kit for FE1-FE6 Connectors 1 qt. oil, 0-600 psi gauge, run tee, 1/8" NPT male x 1/8" NPT male - 72" hose

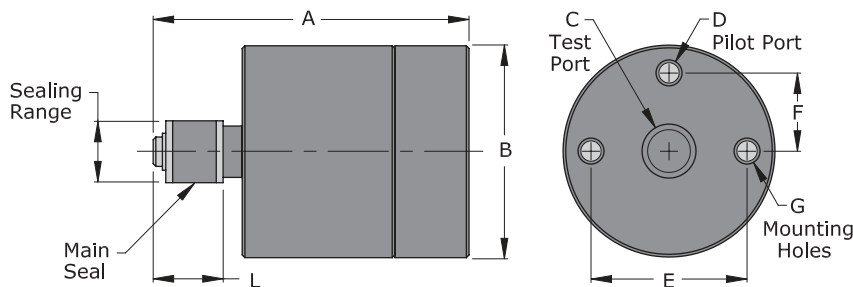
Booster Guidelines
FE01 - 8 Connectors
FE1 - 4 Connectors
FE2 - 2 Connectors
FE3 - 1 Connector
FE4 - 1 Connector

Booster Technical Data
Seals: Nitrile
Material: Aluminum
Inlet Pressure: 65 psi max.
Outlet Pressure: 600 psi max.
Pressure Ratio: 9.2 to 1
Displacement: 1.5 in. ³
Inlet Port: 1/4" NPT

“FI” and “FE” - Automated Tube and Thread Connectors

FasTest Internal “FI” - Connectors for Internal Tubes and Bores

FI - FE



Internal (FI) Connectors for Smooth Tubes - Neoprene Seals**

Part Number	Sealing Range	Dim A	Dim B	Dim C	Dim D	Dim E	Dim F	Dim G	Dim L	Flow Dia.	Repair Kit	Main Seal Set*	Main Seals Package (5)		
FI01-0300	0.310"-0.330"	1.98"	1.25"	10-32" UNF	0.80"	0.40"	10-32" UNF	0.48"	0.06"	FIR01	FIS01-0300	FIB01-0300			
FI01-01	0.330"-0.394"												FIS01-01	FIB01-01	
FI1-11	0.394"-0.472"	2.44"	1.57"	1/8" NPT	1.02"	0.51"	1/4-28" UNF	0.62"	0.13"	FIR1	FIS1-11	FIB1-11			
FI1-12	0.472"-0.551"												FIS1-12	FIB1-12	
FI1-13	0.551"-0.630"												FIS1-13	FIB1-13	
FI2-21	0.630"-0.709"	2.44"	1.57"	1/8" NPT	1.02"	0.51"	1/4-28" UNF	0.62"	0.17"	FIR1	FIS2-21	FIB2-21			
FI2-22	0.709"-0.787"												FIS2-22	FIB2-22	
FI2-23	0.787"-0.866"												FIS2-23	FIB2-23	
FI3-31	0.866"-0.945"	2.61"	2.36"	1/8" NPT	1.60"	0.80"	1/4-28" UNF	1.10"	0.21"	FIR3	FIS3-31	FIB3-31			
FI3-32	0.945"-1.024"												FIS3-32	FIB3-32	
FI3-33	1.024"-1.102"												FIS3-33	FIB3-33	
FI4-41	1.102"-1.181"	2.61"	2.36"	1/8" NPT	1.60"	0.80"	1/4-28" UNF	1.10"	0.28"	FIR3	FIS4-41	FIB4-41			
FI4-42	1.181"-1.260"												FIS4-42	FIB4-42	
FI4-43	1.260"-1.339"												FIS4-43	FIB4-43	
FI5-51	1.339"-1.457"	3.68"	3.49"	1/2" NPT	1/8" NPT	2.31"	1.16"	1/4-28" UNF	1.62"	0.56"	FIR6	FIS5-51	FIB5-51		
FI5-52	1.457"-1.575"													FIS5-52	FIB5-52
FI5-53	1.575"-1.693"													FIS5-53	FIB5-53
FI6-61	1.693"-1.850"	3.68"	3.49"	1/2" NPT	1/8" NPT	2.31"	1.16"	1/4-28" UNF	1.62"	0.72"	FIR6	FIS6-61	FIB6-61		
FI6-62	1.850"-2.008"													FIS6-62	FIB6-62
FI6-63	2.008"-2.165"													FIS6-63	FIB6-63
FI7-71	2.165"-2.305"	3.36"	4.20"	3/4" NPT	1/8" NPT	3.00"	1.50"	1/4-28" UNF	1.67"	0.92"	FIR7	FIS7-71	FIB7-71		
FI7-72	2.305"-2.445"													FIS7-72	FIB7-72
FI7-73	2.445"-2.585"													FIS7-73	FIB7-73
FI8-81	2.585"-2.725"	3.36"	4.20"	3/4" NPT	1/8" NPT	3.00"	1.50"	1/4-28" UNF	1.67"	0.92"	FIR7	FIS8-81	FIB8-81		
FI8-82	2.725"-2.865"													FIS8-82	FIB8-82
FI8-83	2.865"-3.005"													FIS8-83	FIB8-83

*Includes seals(s) and metal parts for one complete seal change.

**Optional seal materials are Urethane, FKM (Viton), Buna N and EPDM.

Examples: FI1-12**UR** = Urethane

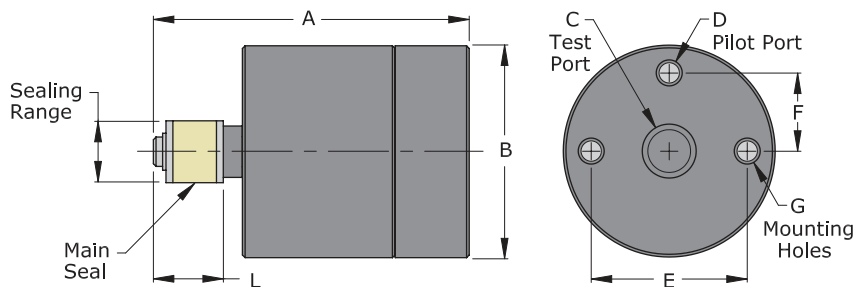
FI1-12**V** = FKM (Viton)

FI1-12**BN** = Buna N

FI1-12**EP** = EPDM

“FI” and “FE” - Automated Tube and Thread Connectors

FasTest Internal “FI” - Connectors for Internal Tubes and Bores



Internal (FI) Connectors for Smooth Tubes - Urethane Seals**

Part Number	Sealing Range	Dim A	Dim B	Dim C	Dim D	Dim E	Dim F	Dim G	Dim L	Flow Dia.	Repair Kit	Main Seal Set*	Main Seals Package (5)
FI01-0300UR	0.310"-0.330"	1.98"	1.25"	10-32" UNF		0.80"	0.40"	10-32" UNF	0.48"	0.06"	FIR01	FIS01-0300UR	FIB01-0300UR
FI01-01UR	0.330"-0.394"											FIS01-01UR	FIB01-01UR
FI1-11UR	0.394"-0.472"	2.44"	1.57"	1/8" NPT		1.02"	0.51"	1/4-28" UNF	0.62"	0.13"	FIR1	FIS1-11UR	FIB1-11UR
FI1-12UR	0.472"-0.551"											FIS1-12UR	FIB1-12UR
FI1-13UR	0.551"-0.630"											FIS1-13UR	FIB1-13UR
FI2-21UR	0.630"-0.709"	2.44"	1.57"	1/8" NPT		1.02"	0.51"	1/4-28" UNF	0.62"	0.17"	FIR1	FIS2-21UR	FIB2-21UR
FI2-22UR	0.709"-0.787"											FIS2-22UR	FIB2-22UR
FI2-23UR	0.787"-0.866"											FIS2-23UR	FIB2-23UR
FI3-31UR	0.866"-0.945"	2.61"	2.36"	1/8" NPT		1.60"	0.80"	1/4-28" UNF	1.10"	0.21"	FIR3	FIS3-31UR	FIB3-31UR
FI3-32UR	0.945"-1.024"											FIS3-32UR	FIB3-32UR
FI3-33UR	1.024"-1.102"											FIS3-33UR	FIB3-33UR
FI4-41UR	1.102"-1.181"	2.61"	2.36"	1/8" NPT		1.60"	0.80"	1/4-28" UNF	1.10"	0.28"	FIR3	FIS4-41UR	FIB4-41UR
FI4-42UR	1.181"-1.260"											FIS4-42UR	FIB4-42UR
FI4-43UR	1.260"-1.339"											FIS4-43UR	FIB4-43UR
FI5-51UR	1.339"-1.457"	3.68"	3.49"	1/2" NPT	1/8" NPT	2.31"	1.16"	1/4-28" UNF	1.62"	0.56"	FIR6	FIS5-51UR	FIB5-51UR
FI5-52UR	1.457"-1.575"			FIS5-52UR	FIB5-52UR								
FI5-53UR	1.575"-1.693"			FIS5-53UR	FIB5-53UR								
FI6-61UR	1.693"-1.850"	3.68"	3.49"	1/2" NPT	1/8" NPT	2.31"	1.16"	1/4-28" UNF	1.62"	0.72"	FIR6	FIS6-61UR	FIB6-61UR
FI6-62UR	1.850"-2.008"			FIS6-62UR	FIB6-62UR								
FI6-63UR	2.008"-2.165"			FIS6-63UR	FIB6-63UR								
FI7-71UR	2.165"-2.305"	3.36"	4.20"	3/4" NPT	1/8" NPT	3.00"	1.50"	1/4-28" UNF	1.67"	0.92"	FIR7	FIS7-71UR	FIB7-71UR
FI7-72UR	2.305"-2.445"			FIS7-72UR	FIB7-72UR								
FI7-73UR	2.445"-2.585"			FIS7-73UR	FIB7-73UR								
FI8-81UR	2.585"-2.725"	3.36"	4.20"	3/4" NPT	1/8" NPT	3.00"	1.50"	1/4-28" UNF	1.67"	0.92"	FIR7	FIS8-81UR	FIB8-81UR
FI8-82UR	2.725"-2.865"			FIS8-82UR	FIB8-82UR								
FI8-83UR	2.865"-3.005"			FIS8-83UR	FIB8-83UR								

*Includes seals(s) and metal parts for one complete seal change.

**Optional seal materials are Neoprene, FKM (Viton), Buna N and EPDM.

Examples: FI2-21 = Neoprene

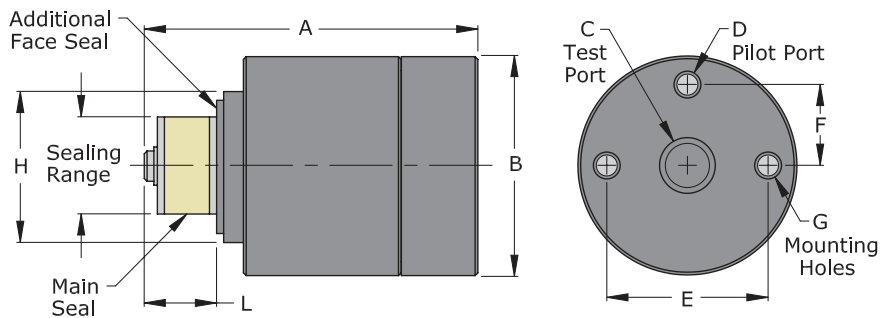
FI2-21V = FKM (Viton)

FI2-21BN = Buna N

FI2-21EP = EPDM

“FI” and “FE” - Automated Tube and Thread Connectors

FasTest Internal “FI” - Connectors for Internal Threads



Internal (FI) Connectors for NPT, BSPP and BSPT Threads - Urethane Seals

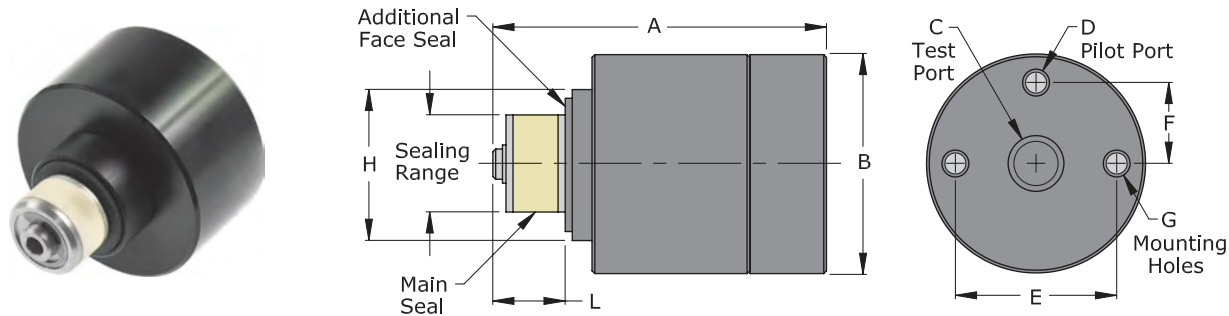
Part Number	Sealing Range	Dim A	Dim B	Dim C	Dim D	Dim E	Dim F	Dim G	Dim H	Dim L	Flow Dia.	Repair Kit	Main Seal Set*	Main Seals Package (5)
FI01-1/8NPT	1/8"	1.98"	1.25"	10-32" UNF	0.80"	0.40"	10-32" UNF	0.62"	0.48"	0.06"	FIR01	FIS01-1/8NPT	FIB01-1/8NPT	
FI1-1/4NPT	1/4"	2.44"	1.57"	1/8" NPT	1.02"	0.51"	1/4-28" UNF	0.76"	0.57"	0.13"	FIR1	FIS1-1/4NPT	FIB1-1/4NPT	
FI2-3/8NPT	3/8"	2.44"	1.57"	1/8" NPT	1.02"	0.51"	1/4-28" UNF	0.88"	0.57"	0.17"	FIR1	FIS2-3/8NPT	FIB2-3/8NPT	
FI2-1/2NPT	1/2"	2.44"	1.57"	1/8" NPT	1.02"	0.51"	1/4-28" UNF	1.07"	0.57"	0.17"	FIR1	FIS2-1/2NPT	FIB2-1/2NPT	
FI3-3/4NPT	3/4"	2.61"	2.36"	1/8" NPT	1.60"	0.80"	1/4-28" UNF	1.26"	0.71"	0.21"	FIR3	FIS3-3/4NPT	FIB3-3/4NPT	
FI4-1NPT	1"	2.61"	2.36"	1/8" NPT	1.60"	0.80"	1/4-28" UNF	1.57"	0.71"	0.28"	FIR3	FIS4-1NPT	FIB4-1NPT	
FI5-1 1/4NPT	1-1/4"	3.68"	3.49"	1/2" NPT	1/8" NPT	2.31"	1.16"	1/4-28" UNF	1.88"	1.24"	0.56"	FIR6	FIS5-1 1/4NPT	FIB5-1 1/4NPT
FI6-1 1/2NPT	1-1/2"	3.68"	3.49"	1/2" NPT	1/8" NPT	2.31"	1.16"	1/4-28" UNF	2.13"	1.24"	0.72"	FIR6	FIS6-1 1/2NPT	FIB6-1 1/2NPT
FI7-2NPT	2"	3.36"	4.20"	3/4" NPT	1/8" NPT	3.00"	1.50"	1/4-28" UNF	2.75"	1.33"	0.92"	FIR7	FIS7-2NPT	FIB7-2NPT
FI7-2 1/2NPT	2-1/2"												FIS7-2 1/2NPT	FIB7-2 1/2NPT

*Includes seals(s) and metal parts for one complete seal change.

NPT per SAE J476a
 BSPP per ISO 228
 BSPT per ISO 7, JIS B8363 and B2351

“FI” and “FE” - Automated Tube and Thread Connectors

FasTest Internal “FI” - Connectors for Internal Threads



Internal (FI) Connectors for SAE O-Ring Port Threads - Urethane Seals

Part Number	Sealing Range	Dim A	Dim B	Dim C	Dim D	Dim E	Dim F	Dim G	Dim H	Dim L	Flow Dia.	Repair Kit	Main Seal Set*	Main Seals Package (5)
FI01-4SAE	-4 (7/16-20)	1.98"	1.25"	10-32" UNF	0.80"	0.40"	10-32" UNF	0.62"	0.48"	0.06"		FIR01	FIS01-4SAE	FIB01-4SAE
FI1-5SAE	-5 (1/2-20)	2.44"	1.57"	1/8" NPT	1.02"	0.51"	1/4-28" UNF	0.76"	0.57"	0.13"		FIR1	FIS1-5SAE	FIB1-5SAE
FI1-6SAE	-6 (9/16-18)												FIS1-6SAE	FIB1-6SAE
FI2-7SAE	-8 (3/4-16)	2.44"	1.57"	1/8" NPT	1.02"	0.51"	1/4-28" UNF	0.88"	0.57"	0.17"		FIR1	FIS2-7SAE	FIB2-7SAE
FI3-8SAE	-10 (7/8-14)	2.61"	2.36"	1/8" NPT	1.60"	0.80"	1/4-28" UNF	1.26"	0.71"	0.21"		FIR3	FIS3-8SAE	FIB3-8SAE
FI3-9SAE	-12 (1 1/16-12)												FIS3-9SAE	FIB3-9SAE
FI4-10SAE	-14 (1 3/16-12)	2.61"	2.36"	1/8" NPT	1.60"	0.80"	1/4-28" UNF	1.57"	0.71"	0.28"		FIR3	FIS4-10SAE	FIB4-10SAE
FI4-11SAE	-16 (1 5/16-12)												FIS4-11SAE	FIB4-11SAE
FI5-12SAE	-20 (1 5/8-12)	3.68"	3.49"	1/2" NPT	1/8" NPT	2.31"	1.16"	1/4-28" UNF	1.88"	1.24"	0.56"	FIR6	FIS5-12SAE	FIB5-12SAE
FI6-13SAE	-24 (1 7/8-12)	3.68"	3.49"	1/2" NPT	1/8" NPT	2.31"	1.16"	1/4-28" UNF	2.13"	1.24"	0.72"	FIR6	FIS6-13SAE	FIB6-13SAE
FI7-14SAE	-32 (2 1/2-12)	3.36"	4.20"	3/4" NPT	1/8" NPT	3.00"	1.50"	1/4-28" UNF	2.75"	1.33"	0.92"	FIR7	FIS7-14SAE	FIB7-14SAE

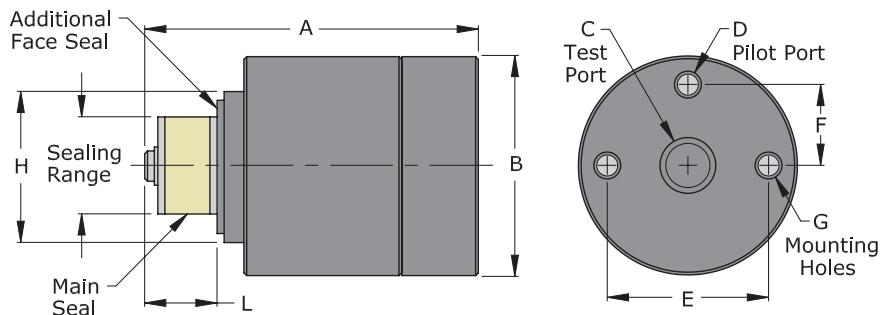
*Includes seals(s) and metal parts for one complete seal change.

O-Ring Port per SAE J1926 or ISO 11926

“FI” and “FE” - Automated Tube and Thread Connectors

FasTest Internal “FI” - Connectors for Internal Threads

FI - FE



Internal (FI) Connectors for Metric ISO O-Ring Port Threads - Urethane Seals

Part Number	Sealing Range	Dim A	Dim B	Dim C	Dim D	Dim E	Dim F	Dim G	Dim H	Dim L	Flow Dia.	Repair Kit	Main Seal Set*	Main Seals Package (5)
FI01-M10	M10 x 1.0	1.98"	1.25"	10-32" UNF		0.80"	0.40"	10-32" UNF	0.62"	0.48"	0.06"	FIR01	FIS01-M10	FIB01-M10
FI1-M12	M12 x 1.5	2.44"	1.57"	1/8" NPT	1.02"	0.51"	1/4-28" UNF	0.76"	0.57"	0.13"	FIR1	FIS1-M12	FIB1-M12	
FI1-M14	M14 x 1.5											FIS1-M14	FIB1-M14	
FI1-M16	M16 x 1.5											FIS1-M16	FIB1-M16	
FI2-M18	M18 x 1.5	2.44"	1.57"	1/8" NPT	1.02"	0.51"	1/4-28" UNF	0.88"	0.57"	0.17"	FIR1	FIS2-M18	FIB2-M18	
FI2-M20	M20 x 1.5											FIS2-M20	FIB2-M20	
FI2-M22	M22 x 1.5											FIS2-M22	FIB2-M22	
FI3-M24	M24 x 1.5	2.61"	2.36"	1/8" NPT	1.60"	0.80"	1/4-28" UNF	1.26"	0.71"	0.21"	FIR3	FIS3-M24	FIB3-M24	
FI3-M26	M26 x 1.5											FIS3-M26	FIB3-M26	
FI3-M27	M27 x 2											FIS3-M27	FIB3-M27	
FI3-M28	M28 x 1.5											FIS3-M28	FIB3-M28	
FI4-M30	M30 x 1.5	2.61"	2.36"	1/8" NPT	1.60"	0.80"	1/4-28" UNF	1.57"	0.71"	0.28"	FIR3	FIS4-M30	FIB4-M30	
FI4-M33	M33 x 2											FIS4-M33	FIB4-M33	
FI4-M36	M36 x 2											FIS4-M36	FIB4-M36	
FI5-M42	M42 x 2	3.68"	3.49"	1/2" NPT	1/8" NPT	2.31"	1.16"	1/4-28" UNF	1.88"	1.24"	0.56"	FIR6	FIS5-M42	FIB5-M42
FI6-M48	M48 x 2	3.68"	3.49"	1/2" NPT	1/8" NPT	2.31"	1.16"	1/4-28" UNF	2.13"	1.24"	0.72"	FIR6	FIS6-M48	FIB6-M48
FI7-M60	M60 x 2	3.36"	4.20"	3/4" NPT	1/8" NPT	3.00"	1.50"	1/4-28" UNF	2.75"	1.33"	0.92"	FIR7	FIS7-M60	FIB7-M60

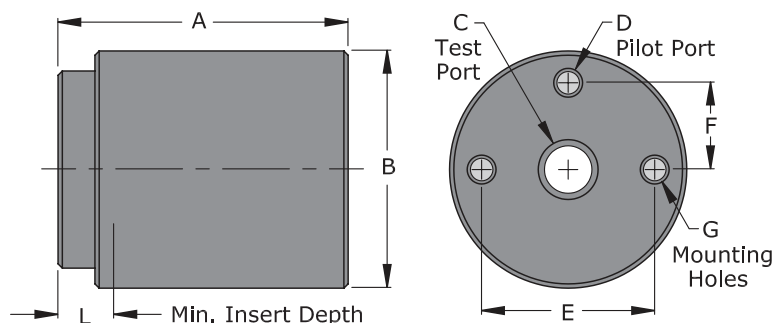
*Includes seals(s) and metal parts for one complete seal change.

O-Ring Port per ISO 6149

Metric Flat Face Port per DIN 3852 Part 1 (ISO 9974)

“FI” and “FE” - Automated Tube and Thread Connectors

FasTest External “FE” - Connectors for External Tubes



External (FE) Connectors for Smooth Tubes - Neoprene Seals**

Part Number	Sealing Range	Dim A	Dim B	Dim C	Dim D	Dim E	Dim F	Dim G	Dim L	Repair Kit	Main Seal Set*	Main Seals Package (5)
FE001-0050	0.030"-0.050"	1.72"	0.84"	1/8" NPT	10-32" UNF	0.63"	N/A	4-40" UNC	0.16"	FER001	FES001-0050	FEB001-0050
FE001-001	0.050"-0.080"										FES001-001	FEB001-001
FE001-002	0.080"-0.130"										FES001-002	FEB001-002
FE01-01	0.100"-0.180"	2.05"	1.49"	1/8" NPT	10-32" UNF	1.10"	0.55"	10-32" UNC	0.58"	FER01	FES01-01	FEB01-01
FE01-02	0.180"-0.260"										FES01-02	FEB01-02
FE01-03	0.260"-0.340"										FES01-03	FEB01-03
FE01-04	0.340"-0.420"										FES01-04	FEB01-04
FE01-05	0.420"-0.510"										FES01-05	FEB01-05
FE1-15	0.433"-0.512"	2.72"	2.22"	1/4" NPT	1/8" NPT	1.62"	0.81"	1/4-28" UNC	0.61"	FER1	FES1-15	FEB1-15
FE1-16	0.512"-0.591"										FES1-16	FEB1-16
FE1-17	0.591"-0.669"										FES1-17	FEB1-17
FE1-18	0.669"-0.750"										FES1-18	FEB1-18
FE1-19	0.750"-0.827"										FES1-19	FEB1-19
FE2-21	0.787"-0.866"	3.50"	3.11"	1/2" NPT	1/8" NPT	2.50"	1.25"	1/4-28" UNC	1.06"	FER2	FES2-21	FEB2-21
FE2-22	0.866"-0.945"										FES2-22	FEB2-22
FE2-23	0.945"-1.024"										FES2-23	FEB2-23
FE2-24	1.024"-1.102"										FES2-24	FEB2-24
FE2-25	1.102"-1.181"										FES2-25	FEB2-25
FE2-26	1.181"-1.260"										FES2-26	FEB2-26
FE2-27	1.260"-1.339"										FES2-27	FEB2-27
FE2-28	1.339"-1.417"										FES2-28	FEB2-28
FE2-29	1.417"-1.510"										FES2-29	FEB2-29
FE3-31	1.496"-1.614"	4.48"	4.23"	1" NPT	1/8" NPT	3.25"	1.63"	1/4-28" UNC	1.64"	FER3	FES3-31	FEB3-31
FE3-32	1.614"-1.732"										FES3-32	FEB3-32
FE3-33	1.732"-1.850"										FES3-33	FEB3-33
FE3-34	1.850"-1.969"										FES3-34	FEB3-34

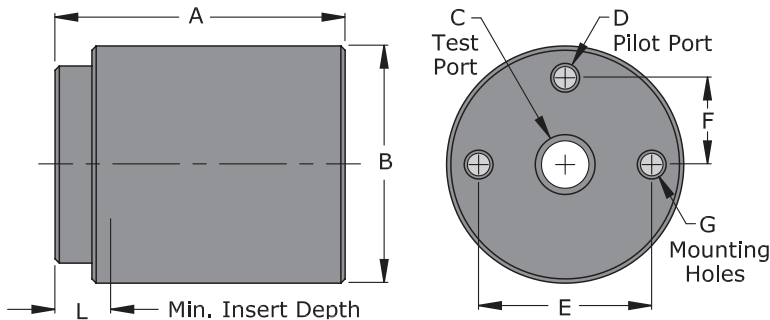
*Includes seals(s) and metal parts for one complete seal change.

**Optional seal materials are Urethane, FKM (Viton), Buna N and EPDM.

Examples: FE1-15UR = Urethane FE1-15V = FKM (Viton) FE1-15BN = Buna N FE1-15EP = EPDM

“FI” and “FE” - Automated Tube and Thread Connectors

FasTest External “FE” - Connectors for External Tubes



FI - FE

External (FE) Connectors for Smooth Tubes - Neoprene Seals**

Part Number	Sealing Range	Dim A	Dim B	Dim C	Dim D	Dim E	Dim F	Dim G	Dim L	Repair Kit	Main Seal Set*	Main Seals Package (5)
FE4-41	1.969"-2.087"	4.60"	5.48"	1-1/2" NPT	1/8" NPT	4.25"	2.13"	1/4-28" UNC	1.64"	FER4	FES4-41	FEB4-41
FE4-42	2.087"-2.205"										FES4-42	FEB4-42
FE4-43	2.205"-2.323"										FES4-43	FEB4-43
FE4-44	2.323"-2.441"										FES4-44	FEB4-44
FE4-45	2.441"-2.559"										FES4-45	FEB4-45
FE4-46	2.559"-2.677"										FES4-46	FEB4-46
FE4-47	2.677"-2.795"										FES4-47	FEB4-47
FE4-48	2.795"-2.913"										FES4-48	FEB4-48
FE4-49	2.913"-3.032"										FES4-49	FEB4-49
FE5-51	2.970"-3.100"	4.60"	6.98"	2" NPT	1/8" NPT	5.50"	2.25"	3/8-24" UNC	1.64"	FER5	FES5-51	FEB5-51
FE5-52	3.100"-3.230"										FES5-52	FEB5-52
FE5-53	3.230"-3.360"										FES5-53	FEB5-53
FE5-54	3.360"-3.490"										FES5-54	FEB5-54
FE5-55	3.490"-3.620"										FES5-55	FEB5-55
FE5-56	3.620"-3.750"										FES5-56	FEB5-56
FE5-57	3.750"-3.880"										FES5-57	FEB5-57
FE5-58	3.880"-4.010"										FES5-58	FEB5-58
FE5-59	4.010"-4.130"										FES5-59	FEB5-59
FE6-61	4.130"-4.260"	4.97"	7.48"	2-1/2" NPT	1/8" NPT	6.12"	3.06"	3/8-24" UNC	1.64"	FER6	FES6-61	FEB6-61
FE6-62	4.260"-4.390"										FES6-62	FEB6-62
FE6-63	4.390"-4.520"										FES6-63	FEB6-63
FE6-64	4.520"-4.650"										FES6-64	FEB6-64
FE6-65	4.650"-4.780"										FES6-65	FEB6-65
FE6-66	4.780"-4.910"										FES6-66	FEB6-66
FE6-67	4.910"-5.040"										FES6-67	FEB6-67

*Includes seals(s) and metal parts for one complete seal change.

**Optional seal materials are Urethane, FKM (Viton), Buna N and EPDM.

Examples: FE5-51UR = Urethane

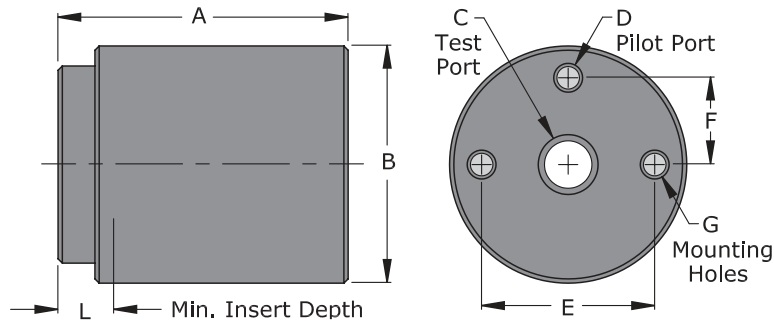
FE5-51V = FKM (Viton)

FE5-51BN = Buna N

FE5-51EP = EPDM

“FI” and “FE” - Automated Tube and Thread Connectors

FasTest External “FE” - Connectors for External Tubes



External (FE) Connectors for Smooth Tubes - Urethane Seals**

Part Number	Sealing Range	Dim A	Dim B	Dim C	Dim D	Dim E	Dim F	Dim G	Dim L	Repair Kit	Main Seal Set*	Main Seals Package (5)
FE001-0050UR	0.030"-0.050"	1.72"	0.84"	1/8" NPT	10-32" UNF	0.63"	N/A	4-40" UNC	0.16"	FER001	FES001-0050UR	FEB001-0050UR
FE001-001UR	0.050"-0.080"										FES001-001UR	FEB001-001UR
FE001-002UR	0.080"-0.130"										FES001-002UR	FEB001-002UR
FE01-01UR	0.100"-0.180"	2.05"	1.49"	1/8" NPT	10-32" UNF	1.10"	0.55"	10-32" UNC	0.58"	FER01	FES01-01UR	FEB01-01UR
FE01-02UR	0.180"-0.260"										FES01-02UR	FEB01-02UR
FE01-03UR	0.260"-0.340"										FES01-03UR	FEB01-03UR
FE01-04UR	0.340"-0.420"										FES01-04UR	FEB01-04UR
FE01-05UR	0.420"-0.510"										FES01-05UR	FEB01-05UR
FE1-15UR	0.433"-0.512"	2.72"	2.22"	1/4" NPT	1/8" NPT	1.62"	0.81"	1/4-28" UNC	0.61"	FER1	FES1-15UR	FEB1-15UR
FE1-16UR	0.512"-0.591"										FES1-16UR	FEB1-16UR
FE1-17UR	0.591"-0.669"										FES1-17UR	FEB1-17UR
FE1-18UR	0.669"-0.750"										FES1-18UR	FEB1-18UR
FE1-19UR	0.750"-0.827"										FES1-19UR	FEB1-19UR
FE2-21UR	0.787"-0.866"	3.50"	3.11"	1/2" NPT	1/8" NPT	2.50"	1.25"	1/4-28" UNC	1.06"	FER2	FES2-21UR	FEB2-21UR
FE2-22UR	0.866"-0.945"										FES2-22UR	FEB2-22UR
FE2-23UR	0.945"-1.024"										FES2-23UR	FEB2-23UR
FE2-24UR	1.024"-1.102"										FES2-24UR	FEB2-24UR
FE2-25UR	1.102"-1.181"										FES2-25UR	FEB2-25UR
FE2-26UR	1.181"-1.260"										FES2-26UR	FEB2-26UR
FE2-27UR	1.260"-1.339"										FES2-27UR	FEB2-27UR
FE2-28UR	1.339"-1.417"										FES2-28UR	FEB2-28UR
FE2-29UR	1.417"-1.510"										FES2-29UR	FEB2-29UR
FE3-31UR	1.496"-1.614"	4.48"	4.23"	1" NPT	1/8" NPT	3.25"	1.63"	1/4-28" UNC	1.64"	FER3	FES3-31UR	FEB3-31UR
FE3-32UR	1.614"-1.732"										FES3-32UR	FEB3-32UR
FE3-33UR	1.732"-1.850"										FES3-33UR	FEB3-33UR
FE3-34UR	1.850"-1.969"										FES3-34UR	FEB3-34UR

*Includes seals(s) and metal parts for one complete seal change.

**Optional seal materials are Urethane, FKM (Viton), Buna N and EPDM.

Examples: FE1-15 = Neoprene

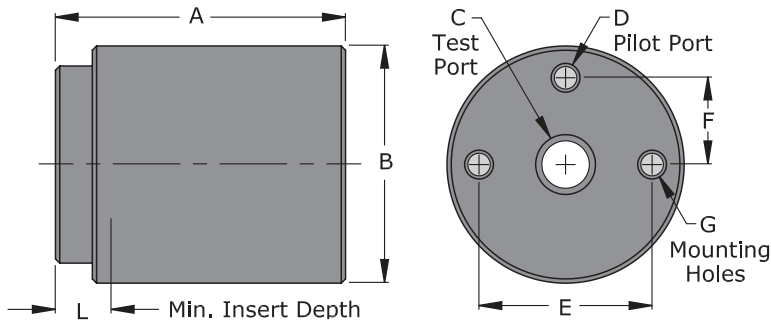
FE1-15**V** = FKM (Viton)

FE1-15**BN** = Buna N

FE1-15**EP** = EPDM

“FI” and “FE” - Automated Tube and Thread Connectors

FasTest External “FE” - Connectors for External Tubes



FI - FE

External (FE) Connectors for Smooth Tubes - Urethane Seals**

Part Number	Sealing Range	Dim A	Dim B	Dim C	Dim D	Dim E	Dim F	Dim G	Dim L	Repair Kit	Main Seal Set*	Main Seals Package (5)
FE4-41UR	1.969"-2.087"	4.60"	5.48"	1-1/2" NPT	1/8" NPT	4.25"	2.13"	1/4-28" UNC	1.64"	FER4	FES4-41UR	FEB4-41UR
FE4-42UR	2.087"-2.205"										FES4-42UR	FEB4-42UR
FE4-43UR	2.205"-2.323"										FES4-43UR	FEB4-43UR
FE4-44UR	2.323"-2.441"										FES4-44UR	FEB4-44UR
FE4-45UR	2.441"-2.559"										FES4-45UR	FEB4-45UR
FE4-46UR	2.559"-2.677"										FES4-46UR	FEB4-46UR
FE4-47UR	2.677"-2.795"										FES4-47UR	FEB4-47UR
FE4-48UR	2.795"-2.913"										FES4-48UR	FEB4-48UR
FE4-49UR	2.913"-3.032"										FES4-49UR	FEB4-49UR
FE5-51UR	2.970"-3.100"	4.60"	6.98"	2" NPT	1/8" NPT	5.50"	2.25"	3/8-24" UNC	1.64"	FER5	FES5-51UR	FEB5-51UR
FE5-52UR	3.100"-3.230"										FES5-52UR	FEB5-52UR
FE5-53UR	3.230"-3.360"										FES5-53UR	FEB5-53UR
FE5-54UR	3.360"-3.490"										FES5-54UR	FEB5-54UR
FE5-55UR	3.490"-3.620"										FES5-55UR	FEB5-55UR
FE5-56UR	3.620"-3.750"										FES5-56UR	FEB5-56UR
FE5-57UR	3.750"-3.880"										FES5-57UR	FEB5-57UR
FE5-58UR	3.880"-4.010"										FES5-58UR	FEB5-58UR
FE5-59UR	4.010"-4.130"										FES5-59UR	FEB5-59UR
FE6-61UR	4.130"-4.260"	4.97"	7.48"	2-1/2" NPT	1/8" NPT	6.12"	3.06"	3/8-24" UNC	1.64"	FER6	FES6-61UR	FEB6-61UR
FE6-62UR	4.260"-4.390"										FES6-62UR	FEB6-62UR
FE6-63UR	4.390"-4.520"										FES6-63UR	FEB6-63UR
FE6-64UR	4.520"-4.650"										FES6-64UR	FEB6-64UR
FE6-65UR	4.650"-4.780"										FES6-65UR	FEB6-65UR
FE6-66UR	4.780"-4.910"										FES6-66UR	FEB6-66UR
FE6-67UR	4.910"-5.040"										FES6-67UR	FEB6-67UR

*Includes seals(s) and metal parts for one complete seal change.

**Optional seal materials are Urethane, FKM (Viton), Buna N and EPDM.

Examples: FE5-51 = Neoprene

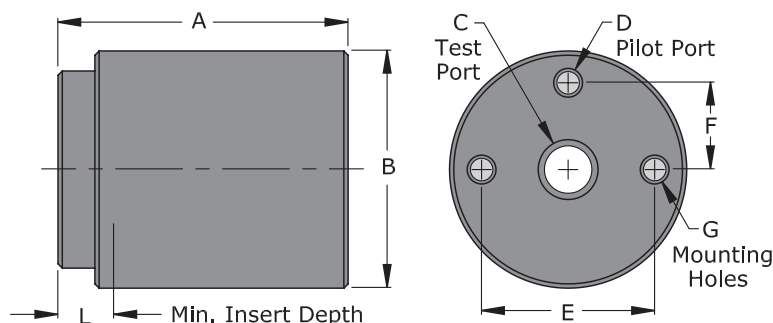
FE5-51V = FKM (Viton)

FE5-51BN = Buna N

FE5-51EP = EPDM

“FI” and “FE” - Automated Tube and Thread Connectors

FasTest External “FE” - Connectors for External Threads



External (FE) Connectors for NPT, BSPP and BSPT Threads - Urethane Seals

Part Number	Sealing Range	Dim A	Dim B	Dim C	Dim D	Dim E	Dim F	Dim G	Dim L	Repair Kit	Main Seal Set*	Main Seals Package (5)
FE01-1/8 NPT	1/8"	2.05"	1.49"	1/8" NPT	10-32" UNF	1.10"	0.55"	10-32" UNC	0.58"	FER01	FES01-1/8 NPT	FEB01-1/8 NPT
FE1-1/4 NPT	1/4"	2.72"	2.22"	1/4" NPT	1/8" NPT	1.62"	0.81"	1/4-28" UNC	0.61"	FER1	FES1-1/4 NPT	FEB1-1/4 NPT
FE1-3/8 NPT	3/8"			FES1-3/8 NPT	FEB1-3/8 NPT							
FE2-1/2 NPT	1/2"	3.50"	3.11"	1/2" NPT	1/8" NPT	2.50"	1.25"	1/4-28" UNC	0.69"	FER2	FES2-1/2 NPT	FEB2-1/2 NPT
FE2-3/4 NPT	3/4"										FES2-3/4 NPT	FEB2-3/4 NPT
FE2-1 NPT	1"										FES2-1 NPT	FEB2-1 NPT
FE3-1 1/4 NPT	1-1/4"	4.48"	4.23"	1" NPT	1/8" NPT	3.25"	1.63"	1/4-28" UNC	0.89"	FER3	FES3-1 1/4 NPT	FEB3-1 1/4 NPT
FE3-1 1/2 NPT	1-1/2"										FES3-1 1/2 NPT	FEB3-1 1/2 NPT
FE4-2 NPT	2"	4.60"	5.48"	1-1/2" NPT	1/8" NPT	4.25"	2.13"	1/4-28" UNC	0.89"	FER4	FES4-2 NPT	FEB4-2 NPT
FE4-2 1/2 NPT	2-1/2"										FES4-2 1/2 NPT	FEB4-2 1/2 NPT

*Includes seals(s) and metal parts for one complete seal change.

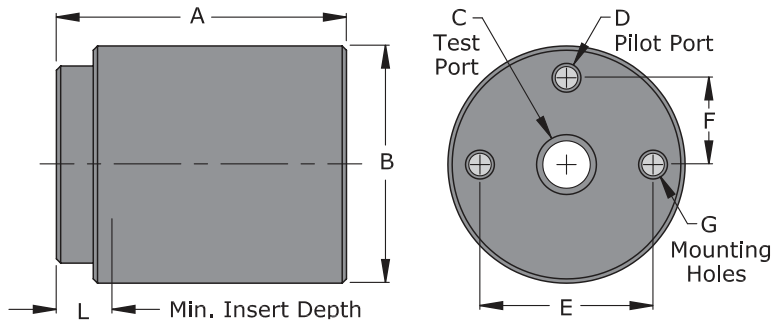
NPT per SAE J476
 BSPP per ISO 228
 BSPT per ISO 7

Note: For sealing external threads or irregular shapes with the FE connectors, typically 400 to 600 psi pilot pressure is required to seal deep rooted external threads (see page A10).

DO NOT use a pilot booster with FI connectors. Sealing internal threads with FI connectors is accomplished with a specific seal set for threaded ports. See page A13-A15 for more information.

“FI” and “FE” - Automated Tube and Thread Connectors

FasTest External “FE” - Connectors for External Threads



External (FE) Connectors for Male Inch Straight Threads - Urethane Seals

Part Number	Sealing Range	Dim A	Dim B	Dim C	Dim D	Dim E	Dim F	Dim G	Dim L	Repair Kit	Main Seal Set*	Main Seals Package (5)
FE01-0450UR	7/16"	2.05"	1.49"	1/8" NPT	10-32" UNF	1.10"	0.55"	10-32" UNC	0.58"	FER01	FES01-0450UR	FEB01-0450UR
FE1-0510UR	1/2"	2.72"	2.22"	1/4" NPT	1/8" NPT	1.62"	0.81"	1/4-28" UNC	0.61"	FER1	FES1-0510UR	FEB1-0510UR
FE1-0570UR	9/16"										FES1-0570UR	FEB1-0570UR
FE1-0640UR	5/8"										FEB1-0640UR	FEB1-0640UR
FE1-0700UR	11/16"										FEB1-0700UR	FEB1-0700UR
FE2-T0760UR	3/4"	3.50"	3.11"	1/2" NPT	1/8" NPT	2.50"	1.25"	1/4-28" UNC	0.69"	FER2	FES2-T0760UR	FEB2-T0760UR
FE2-T0800UR	13/16"										FES2-T0800UR	FEB2-T0800UR
FE2-T0885UR	7/8"										FES2-T0885UR	FEB2-T0885UR
FE2-T1010UR	1"										FES2-T1010UR	FEB2-T1010UR
FE2-3/4 NPT	1-1/16"										FES2-3/4 NPT	FEB2-3/4 NPT
FE2-T1200UR	1-3/16"										FES2-T1200UR	FEB2-T1200UR
FE2-T1260UR	1-1/4"										FES2-T1260UR	FEB2-T1260UR
FE2-1 NPT	1-5/16"										FES2-1 NPT	FEB2-1 NPT
FE2-T1385UR	1-3/8"										FES2-T1385UR	FEB2-T1385UR
FE3-T1460UR	1-7/16"										4.48"	4.23"
FE3-T1640UR	1-5/8"	FES3-T1640UR	FEB3-T1640UR									
FE3-T1710UR	1-11/16"	FES3-T1710UR	FEB3-T1710UR									
FE3-T1890UR	1-7/8"	FES3-T1890UR	FEB3-T1890UR									
FE4-T2020UR	2"	4.60"	5.48"	1-1/2" NPT	1/8" NPT	4.25"	2.13"	1/4-28" UNC	0.89"	FER4	FES4-T2020UR	FEB4-T2020UR
FE4-T2520UR	2-1/2"										FES4-T2520UR	FEB4-T2520UR

*Includes seals(s) and metal parts for one complete seal change.

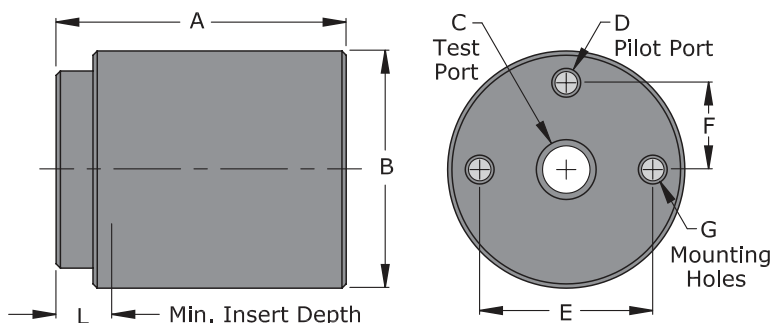
- O-Ring Port per SAE J1453
- 37° Flare per SAE J514
- 45° Flare per SAE J512/J513
- 24° Cone per SAE J514

Note: For sealing external threads or irregular shapes with the FE connectors, typically 400 to 600 psi pilot pressure is required to seal deep rooted external threads (see page A10).

DO NOT use a pilot booster with FI connectors. Sealing internal threads with FI connectors is accomplished with a specific seal set for threaded ports. See page A13-A15 for more information.

“FI” and “FE” - Automated Tube and Thread Connectors

FasTest External “FE” - Connectors for External Threads



External (FE) Connectors for Male Metric Straight Threads - Urethane Seals

Part Number	Sealing Range	Dim A	Dim B	Dim C	Dim D	Dim E	Dim F	Dim G	Dim L	Repair Kit	Main Seal Set*	Main Seals Package (5)
FE01-1/8 NPT	M10	2.05"	1.49"	1/8" NPT	10-32" UNF	1.10"	0.55"	10-32" UNC	0.58"	FER01	FES01-1/8 NPT	FEB01-1/8 NPT
FE1-0480UR	M12	2.72"	2.22"	1/4" NPT	1/8" NPT	1.62"	0.81"	1/4-28" UNC	0.61"	FER1	FES1-0480UR	FEB1-0480UR
FE1-0570UR	M14										FES1-0570UR	FEB1-0570UR
FE1-0640UR	M16										FES1-0640UR	FEB1-0640UR
FE1-0720UR	M18										FES1-0720UR	FEB1-0720UR
FE2-T0800UR	M20	3.50"	3.11"	1/2" NPT	1/8" NPT	2.50"	1.25"	1/4-28" UNC	0.69"	FER2	FES2-T0800UR	FEB2-T0800UR
FE2-T21UR	M22										FES2-T21UR	FEB2-T21UR
FE2-T22UR	M24										FES2-T22UR	FEB2-T22UR
FE2-T23UR	M26										FES2-T23UR	FEB2-T23UR
FE2-T1075UR	M27										FES2-T1075UR	FEB2-T1075UR
FE2-T24UR	M28										FES2-T24UR	FEB2-T24UR
FE2-T25UR	M30										FES2-T25UR	FEB2-T25UR
FE2-T1320UR	M33										FES2-T1320UR	FEB2-T1320UR
FE2-T1400UR	M35	FES2-T1400UR	FEB2-T1400UR									
FE3-T1440UR	M36	4.48"	4.23"	1" NPT	1/8" NPT	3.25"	1.63"	1/4-28" UNC	0.89"	FER3	FES3-T1440UR	FEB3-T1440UR
FE3-T1595UR	M40										FES3-T1595UR	FEB3-T1595UR
FE3-T1675UR	M42										FES3-T1675UR	FEB3-T1675UR
FE3-T1790UR	M45										FES3-T1790UR	FEB3-T1790UR
FE4-T1910UR	M48	4.60"	5.48"	1-1/2" NPT	1/8" NPT	4.25"	2.13"	1/4-28" UNC	0.89"	FER4	FES4-T1910UR	FEB4-T1910UR
FE4-T2070UR	M52										FES4-T2070UR	FEB4-T2070UR
FE4-T2380UR	M60										FES4-T2380UR	FEB4-T2380UR

*Includes seals(s) and metal parts for one complete seal change.

- 24° Cone Flareless per ISO 8434-1 and -4
- 24° Cone Flareless per JIS B2353
- 24° Cone Flareless per DIN 3902/3853/3861
- 60° Cone per DIN 7831/7647

Note: For sealing external threads or irregular shapes with the FE connectors, typically 400 to 600 psi pilot pressure is required to seal deep rooted external threads (see page A10).

DO NOT use a pilot booster with FI connectors. Sealing internal threads with FI connectors is accomplished with a specific seal set for threaded ports. See page A13-A15 for more information.

“ME” and “ML” Series for Medical Devices

Technology Overview



The **FasTest ME** and **ML Series** are specifically designed for medical device testing.

- Host Material - Clear bright dipped anodized aluminum host material. Stainless steel offered as an option
- Seal Materials - White FDA Neoprene or FDA listed fluorocarbon main seals
- Cleaning - All parts are washed in an aqueous solution utilizing ultrasonic agitation at a temperature of 140 degrees F. Components are then rinsed in a cascading rinse tank and dried using 99.999% Nitrogen Controlled Environment – Assembled is in a Clean Room defined as a 100,000 ppm level controlled environment
- Components Inspection & Assembly - Pre-assembly inspection of all components. Assembled, tested and placed in double bag packaging inside controlled environment
- Lubrication – Krytox is the standard lubricant. Krytox is FDA approved for oxygen service applications. Petroleum jelly is the alternate lubricant upon request
- Certification - White FDA Neoprene main seal material to be compliant to 21CFR177.2600. We also utilize FDA listed fluorocarbon seal material

ME - ML

Medical External - “ME Series”

- For external sealing of Catheters, Lumens, Luers and other cylindrical parts
- Test pressure ranges from vacuum to 500 psi
- Clear anodized aluminum construction



ME Medical Series Connectors seal conventional and non-standard surfaces of tubes, luers, catheters and other smooth or threaded parts. Compressed air activates the elastomeric seal for testing to 500 psi.

Uniform seal movement makes a leak-proof connection. Testing, filling or flushing, using air, gas or liquid, of the test piece is accomplished by introducing the media through the **FasTest** connector.

Medical Luer - “ML Series”

- For fixturing and sealing of male or female Luer fittings
- Test pressure ranges from vacuum to 500 psi
- Clear anodized aluminum construction

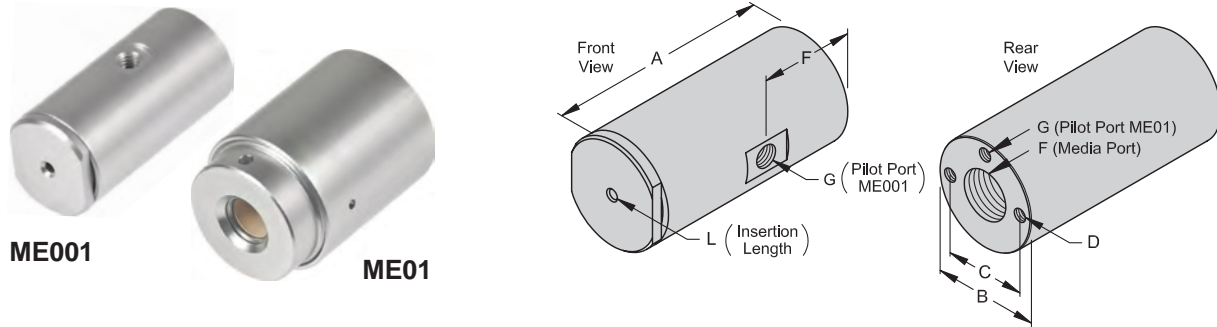


ML Medical Series Connectors are specifically designed to test many types of luers. **FasTest’s** proprietary hold and seal design secures the luer while a special piston seals the internal portion of the luer.

ML series connectors can be used manually or automated with sealing pressures to 500 psi. Actual pressure will vary based on the type of luer.

“ME” and “ML” Series for Medical Devices

FasTest Medical External “ME “ - Connectors for External Sealing of Cylindrical Parts



Medical External (ME) Connectors - English Mounting Holes and Pilot Ports

Part Number	Sealing Range	Dim A	Dim B	Dim C	Dim D	Dim E	Dim F	Dim G	Dim L	Repair Kit	Main Seal Set*	Main Seals Package (5)
ME001-0030	0.015"-0.030"	1.72"	0.84"	0.63"	4-40 UNC	0.72"	1/8" NPT	10-32 UNF	0.16"	MER001	MES001-0030	MEB001-0030
ME001-0050	0.030"-0.050"										MES001-0050	MEB001-0050
ME001-001	0.050"-0.080"										MES001-001	MEB001-001
ME001-002	0.080"-0.130"										MES001-002	MEB001-002
ME01-01	0.100"-0.180"	2.05"	1.49"	1.10"	10-32 UNF	N/A	1/8" NPT	10-32 UNF	1.58"	MER01	MES01-01	MEB01-01
ME01-02	0.180"-0.260"										MES01-02	MEB01-02
ME01-03	0.260"-0.340"										MES01-03	MEB01-03
ME01-04	0.340"-0.420"										MES01-04	MEB01-04
ME01-05	0.420"-0.510"										MES01-05	MEB01-05

Medical External (ME) Connectors - Metric Mounting Holes and Pilot Ports

Part Number	Sealing Range (mm)	Dim A	Dim B	Dim C	Dim D	Dim E	Dim F	Dim G	Dim L	Repair Kit	Main Seal Set*	Main Seals Package (5)
ME001-0030M	0.38-0.80	1.72"	0.84"	0.63"	M2.5	0.72"	1/8" BSPP	M5	0.16"	MER001	MES001-0030	MEB001-0030
ME001-0050M	0.80-1.30										MES001-0050	MEB001-0050
ME001-001M	1.30-2.00										MES001-001	MEB001-001
ME001-002M	2.00-3.30										MES001-002	MEB001-002
ME01-01M	2.50-4.60	2.05"	1.49"	1.10"	M5	N/A	1/8" BSPP	M5	1.58"	MER01	MES01-01	MEB01-01
ME01-02M	4.60-6.60										MES01-02	MEB01-02
ME01-03M	6.60-8.60										MES01-03	MEB01-03
ME01-04M	8.60-10.70										MES01-04	MEB01-04
ME01-05M	10.70-13.00										MES01-05	MEB01-05

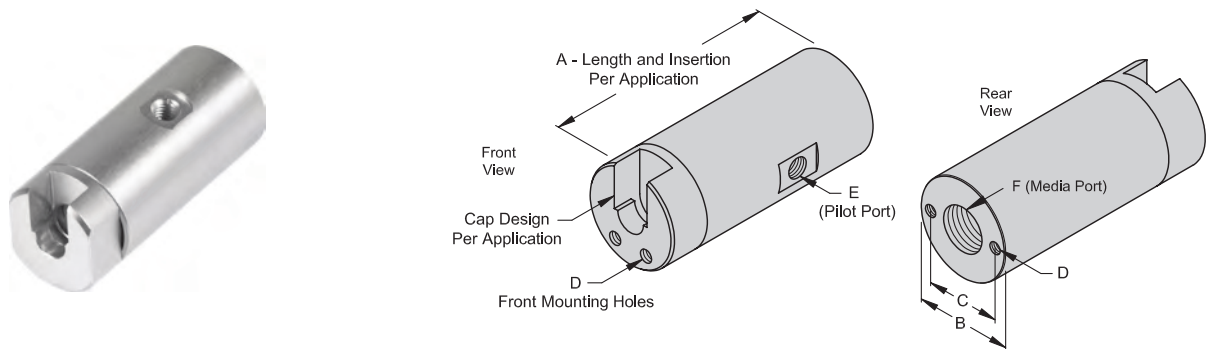
*Includes seals(s) and metal parts for one complete seal change.

Notes:

Above ME's available in optional stainless steel by adding SS to the part number. Example: ME01-01SS

“ME” and “ML” Series for Medical Devices

FasTest Medical Luer “ML” - Connectors for External Sealing of Luers



ME - ML

Medical Luer (ML) Connectors - English Mounting Holes and Pilot Ports

Part Number	Sealing Range	Dim A	Dim B	Dim C	Dim D	Dim E	Dim F	Repair Kit	Main Seal Set	Main Seals Package (5)
ML001- ...	Sized to Part	Application Dependent	0.84"	0.63"	4-40 UNC	10-32 UNF	1/8" NPT	MER001	Sized to Part	Sized to Part

Medical Luer (ML) Connectors - Metric Mounting Holes and Pilot Ports

Part Number	Sealing Range	Dim A	Dim B	Dim C	Dim D	Dim E	Dim F	Repair Kit	Main Seal Set	Main Seals Package (5)
ML001- ... M	Sized to Part	Application Dependent	0.84"	0.63"	M2.5	M5	1/8" BSPP	MER001	Sized to Part	Sized to Part

Notes:

The Medical Luer “**ML Series**” connectors are designed to your specific application requirements.

To obtain a part number and price quotation:

- Contact **FasTest** with details regarding your application such as test pressure, media and tolerances (detailed drawing preferred).
- Provide two sample parts for design and testing purposes.

Need assistance finding connector options for your application?

- Visit www.fastestinc.com and select “Connection Type” under “Products”
- Select a basic feature of your application such as “Internal Tubes / Bores”
- Select additional applications features such as “Connects to” and “Connection method” to shorten your results list

Your Selections Connection Type: Internal Tubes / Bores

Application
 Manufacturing (131)
 Medical (14)
 Refrigeration (13)

Connection Type
 Internal Tubes / Bores (131)

Connects To
 (34)
 0.310"- 0.330" (5)
 0.330"- 0.394" (5)
 0.375" (1)
 0.394"- 0.472" (5)
 0.472"- 0.551" (3)
 0.500" (4)

FI01-01
 Internal pneumatic connector and main seal set for sealing to inside diameters of 0.330" to 0.394", Neoprene seals

Product Family	Connection Type	Connection Method
FI Series	Internal Tubes / Bores	Automated Pneumatic
Connects To	Pressure Rating	Termination
0.330"- 0.394"	120	10-32" UNF (Female)

On-line Price: \$279.00 [LEARN MORE](#) [ADD TO CART](#) [ADD TO QUOTE](#)

Need assistance identifying replacement seals and repair kits for your connector?

- Find your connector above or use the part number search field in the website header, click the “Learn More” button
- Select the “Related Products” tab to display seals, repair kits and replacement parts

Overview Specifications Instructions CAD Models **Related Products**

FIS01-01
 Replacement seal kit for FI01-01, 0.330"- 0.394", Neoprene seal(s) and metal parts for one complete seal change.

[LEARN MORE](#)

FIB01-01
 Bulk pack - 5 seal replacements for connectors FI01-01 and ETS-11-0330, 0.330"- 0.394", Neoprene

[LEARN MORE](#)

FIR01
 Internal repair kit for FI01 series connectors. Kit contains a shaft and Neoprene O-ring

[LEARN MORE](#)

RR01
 Bulk pack - 5 replacements retaining rings for FI01 Series connectors

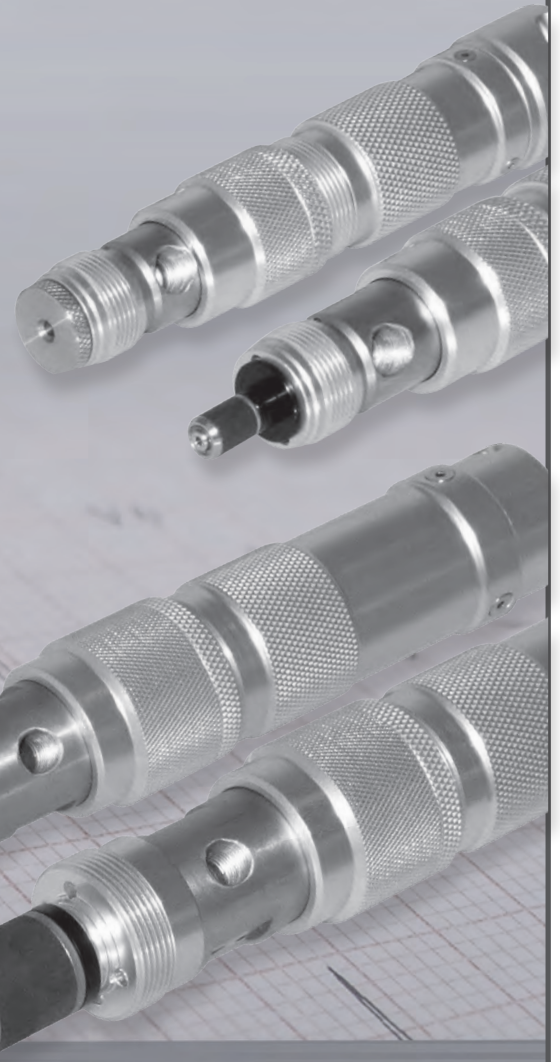
[LEARN MORE](#)

FI01
 Internal pneumatic base connector only, no seal set included. For use with seal sets from 0.310" to 0.394" and thread profiles within this range.

[LEARN MORE](#)



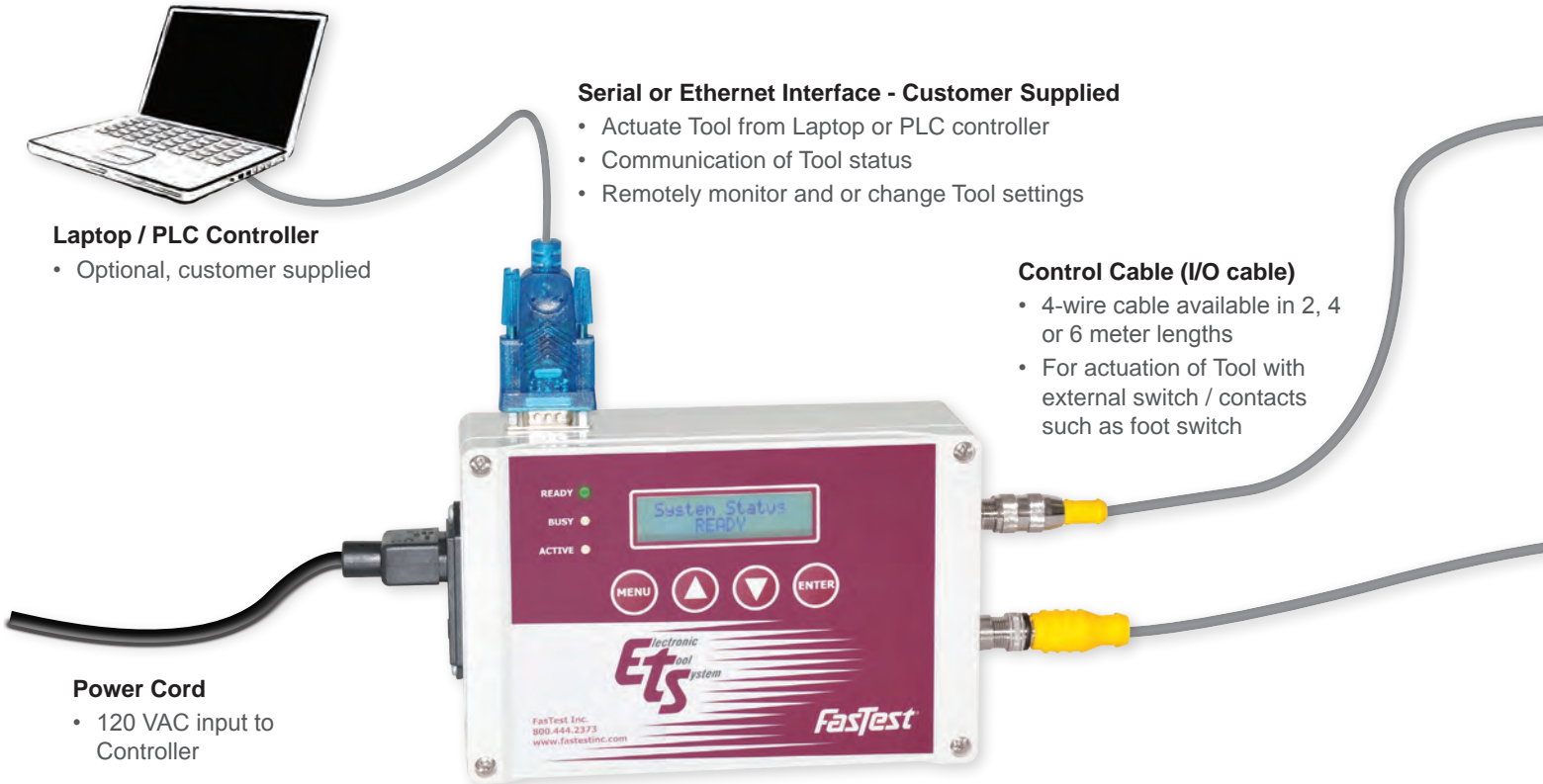
FasTest's ETS is an electronic sealing device for leak test applications requiring ultimate seal control and clean operation. Our full featured drive systems provide Serial, Ethernet or DeviceNet communication for data acquisition and seamless integration into automated leak test systems.



	Contents	Page(s)
	Tech Info	C1 - C7
Internal Tubes / Threads	0.310"-0.394"	C8
	1/8" NPT	
	0.394"-1.339"	C9 - C10
	1/4" to 1" NPT	C10
External Tubes / Threads	0.030"-0.130"	C11
	0.100"-0.827"	C12 - C13
	1/8" to 3/8" NPT	C13
	Accessories / Installation Example	C14

- **Eliminate the mess**, clutter and potential contamination from traditional air control devices
- **Ultimate seal control** via the drive tool which receives its drive signal from the control unit
- **Serial, Ethernet or DeviceNet** communication allows remote monitoring or data acquisition capability

ETS



Serial or Ethernet Interface - Customer Supplied

- Actuate Tool from Laptop or PLC controller
- Communication of Tool status
- Remotely monitor and or change Tool settings

Laptop / PLC Controller

- Optional, customer supplied

Control Cable (I/O cable)

- 4-wire cable available in 2, 4 or 6 meter lengths
- For actuation of Tool with external switch / contacts such as foot switch

Power Cord

- 120 VAC input to Controller

Controller

- Controls Tool operation and sealing force
- Monitor and/or change tool settings

Why Choose Electric over Pneumatic?

Simplify Your Pressure & Leak Test Procedures

Do you want seal control?

- With the ETS controller, you “dial in” a repeatable sealing force from a soft touch for delicate parts to a firm grip for work holding.
- Safe. “Locks on”, even with loss of power.

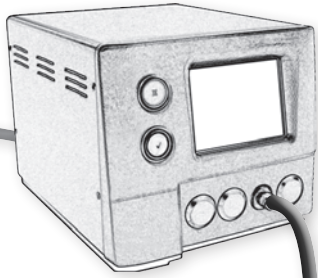
Do you want easier system integration?

- I/O M12 connection and / or optional Serial, Ethernet or DeviceNet communication allows remote operation, monitoring and data acquisition.
- Plug & Play installation. Simply plug in, make the M12 cable connections and go!

Do you want clean, robust operation?

- 24 VDC eliminates contaminants & moisture found with compressed air systems.
- Elimination of internal seals that wear and fail.

Testing Methods	Pneumatic	Electronic
Water dunk	✓	
Bubble leak	✓	✓
Helium/Tracer gas		✓
Pressure decay		✓
Proof testing		✓
Flow testing	✓	✓
General Overview	Pneumatic	Electronic
Ease of use	✓	✓
Speed of actuation	✓	
Sealing force - light to heavy		✓
Gripping ability		✓
Elimination of seal creep		✓
Elimination of internal leakage		✓
Reduced energy consumption		✓
Integration into control system (PLC)		✓
Data collection		✓
Versatility		✓
Clean operation		✓



Leak Test Instrument - Customer Supplied

- ETS easily integrates into most leak test systems for manual, semi or fully automated testing

ETS Internal Sealing Tool

- Sealing range from 0.310" to 1.339" ID's
- Test pressures from Vacuum to 120 psi
- 24 VDC

Test Media Connection - Customer Supplied

- Connection from pressure source to Tool
- For monitoring test status



ETS External Sealing Tool

- Sealing range from 0.030" to 0.827" OD's
- Test pressures from vacuum to 500 psi.
- 24 VDC

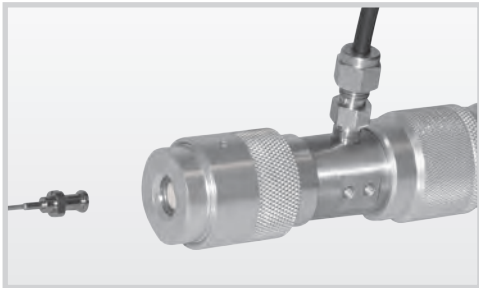
Tool Cable

- Powers the Tool
- Available in 2, 4 or 6 meter lengths



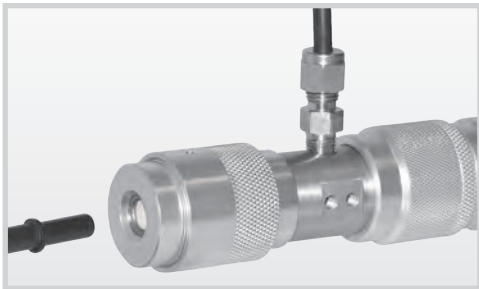
ETS

Applications



Female Luer Connector

The ETS seals directly over the luer thread. Our proprietary FDA grade seal material is exceptionally durable. The same ETS Tool can seal all female luer styles.



Plastic Molded Parts

Plastic Molded Parts often have a flashing / parting line that requires elevated seal force. The ETS has the equivalent seal force of up to 600 psi pilot pressure.



Lumens & Medical Connections

Lumens and Medical Connections come in numerous designs and sizes. The ETS provides the greatest ability to seal without damage or occlusion. Designs are available to provide internal support as needed for improved testing.



Automation Pick – Test – Place.

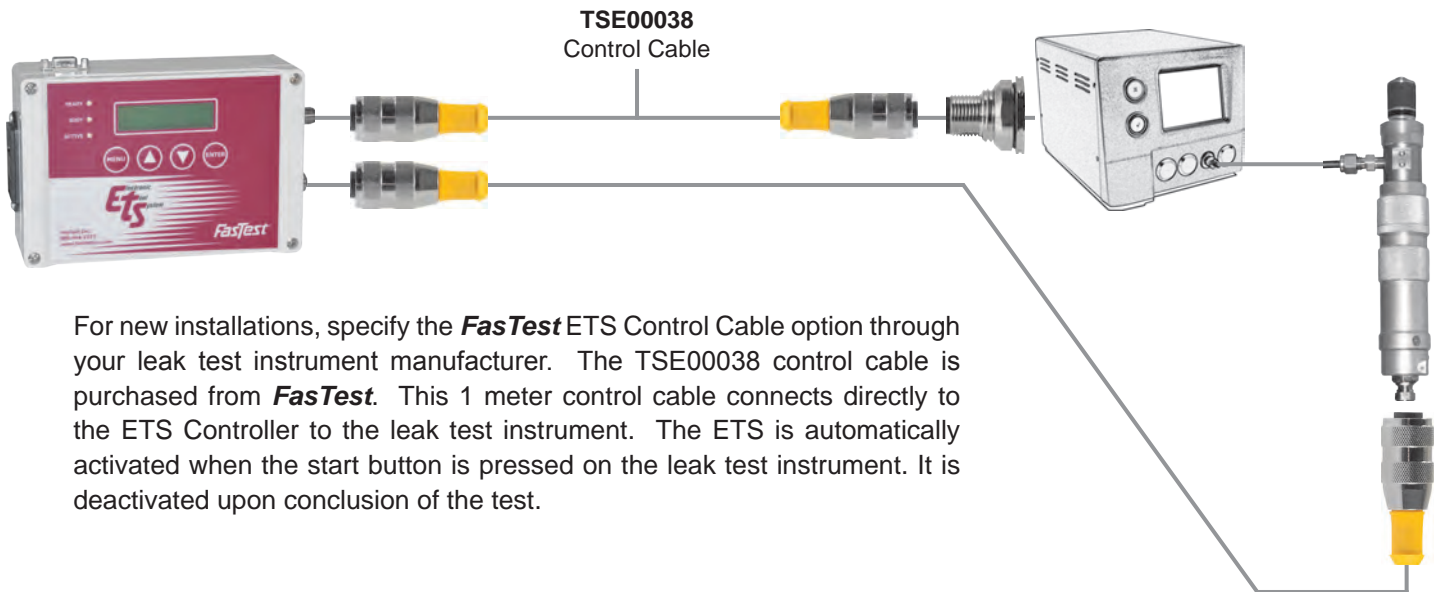
The ETS is easily automated and can be a superior end effector. Our wear resistant seal will form to grip and seal the part for testing and pick and place.

System Integration with Leak Test Instrument

FasTest provides two options for easy integration of the ETS sealing system for new and existing installations that utilize control features currently available through the leak test instrument manufacturer. Leak test instrument manufacturers offer a M12 cable connection to operate the ETS or pilot signal for controlling clamp valves.

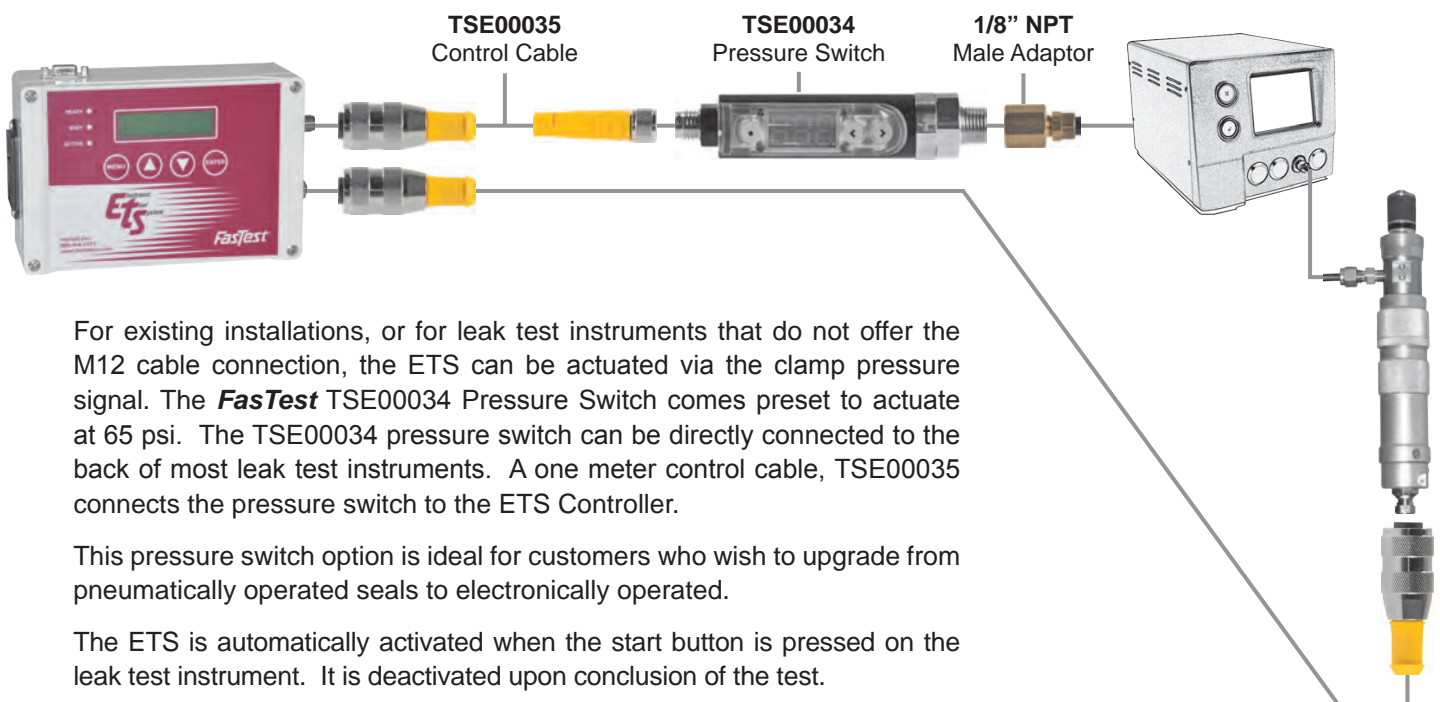
Listed below is explanation describing each installation option.

Installation Option 1: Control Cable



For new installations, specify the **FasTest** ETS Control Cable option through your leak test instrument manufacturer. The TSE00038 control cable is purchased from **FasTest**. This 1 meter control cable connects directly to the ETS Controller to the leak test instrument. The ETS is automatically activated when the start button is pressed on the leak test instrument. It is deactivated upon conclusion of the test.

Installation Option 2: Pressure Switch



For existing installations, or for leak test instruments that do not offer the M12 cable connection, the ETS can be actuated via the clamp pressure signal. The **FasTest** TSE00034 Pressure Switch comes preset to actuate at 65 psi. The TSE00034 pressure switch can be directly connected to the back of most leak test instruments. A one meter control cable, TSE00035 connects the pressure switch to the ETS Controller.

This pressure switch option is ideal for customers who wish to upgrade from pneumatically operated seals to electronically operated.

The ETS is automatically activated when the start button is pressed on the leak test instrument. It is deactivated upon conclusion of the test.

System Integration with Leak Test Instrument

How to Order:

Option 1: Control Cable

For installations with new leak test instrument purchase

- Specify the **ETS M12 Cable Connection Option** with the leak test instrument manufacturer.
- Purchase from **FasTest TSE00038 Control Cable** when ordering your ETS system.

Option 2: Pressure Switch

For existing applications in which leak test instrument has clamp valve feature, purchase from **FasTest TSE00035 Pressure Switch and TSE00035 Control Cable**.

Installation and Operational instructions provided with the pressure switch.

Controller Specifications



100, 200 and 300 Series

ETS-100

Most basic model. The system is pre-configured at the factory to support one tool type. The user is able to adjust drive current setpoint via single turn potentiometer. Tool activation is achieved by closing a switch connected to the I/O port on the control unit.

ETS-200

Same feature set as ETS-100 series models, plus the addition of a communication port for remote connection and automation, and a tool status relay for feedback.

ETS-300

Fully featured models. Devices include a keypad, backlit display, and status indicator LED's on front panel. User can select any supported tool type and size.

Specifications:

- Approx. - 7.1" x 4.75" x 2.5" (L x W x H) ABS
- 120 VAC operation
- Tool and Controller options based on customer specifications

I/O Options:

- Clamp Valve / Pressure Switch - 1/8" NPT female connection
Max pressure input is 75 psi
- M12 – Direct interface to leak test instrument
Leak test instrument pin-out instructions available on request
- Custom configured Tools to match customer's application



400 Series

The ETS400 Riser Series can incorporate from 1 to 4 ETS Tool(s) including Controller and cables into one compact rugged enclosure. As a complete fully functioning fixture, the ETS 400 Riser can significantly reduce the time and costs associated with custom build or self made leak test fixturing.

As a stand alone fixture, or easily incorporated with new or existing leak test instruments, the ETS 400 Riser can operated each Tool concurrently or simultaneously. Touch pad display to configure and monitor Tool status.

Our unique "Plug & Play" installation is specifically designed for use with compact leak test instruments. Simply place the Riser on top of a bench or workstation, plug into power outlet, place your leak test instrument on top of Riser, make the test media connections, make the clamp valve or M12 I/O connection and start testing!

Specifications:

- Approx. - 14" x 12" x 7" (L x W x H) Polycarbonate
- 120 VAC operation
- Tool and Controller options based on customer specifications

I/O Options:

- Clamp Valve / Pressure Switch - 1/8" NPT female connection
Max pressure input is 75 psi
- M12 – Direct interface to leak test instrument
Leak test instrument pin-out instructions available on request
- Start Push Button(s)
1 to 4 start buttons for simultaneous or concurrent operation.
Set up per customers request
- Custom configured Tools to match customer's application

ETS Series Part Number Keys

Controller Part Number Key



System

Electronic Tool System

System Component

Controller unit

Controller Version

Special 5 Digit Configuration Code

Blank = None
Example - 01234, etc.

Factory Configured with Momentary Contact for Tool Actuation

- 100 - Manually adjustable for minimum to maximum seal movement, M12 (4-pin) connection for tool actuation and tool status relay
- 200 - Same as version 100, plus RS232 serial port connection for tool status and remote tool actuation
- 201 - Same as version 100, plus Ethernet connection for tool status and remote tool actuation
- 202 - Same as version 100, plus DeviceNet connection for tool status and remote tool actuation

Factory Configured with Continual Contact for Tool Actuation

- 110 - Same as 100 with continuously closed contact for tool actuation
- 210 - Same as 200 with continuously closed contact for tool actuation
- 211 - Same as 201 with continuously closed contact for tool actuation
- 212 - Same as 202 with continuously closed contact for tool actuation

Field Configurable

- 300 - Keypad and display to configure all ETS tools
Digitally adjustable for minimum to maximum seal movement
Select either continual or momentary contact for tool actuation
3 LED tool status lights, M12 (4-pin) connection for tool actuation and tool status relay, RS232 serial port connection for tool configuration and actuation
- 301 - Same as version 300 plus Ethernet connection for remote tool configuration and actuation
- 302 - Same as version 300 plus DeviceNet connection for remote tool configuration and actuation

Factory Configured with 1 to 4 Tools*

- 4001 - Riser base for (1) tool
Keypad and display to configure all ETS tools
Digitally adjustable for minimum to maximum seal movement
Select either continual or momentary contact for tool actuation
- 4001P - Same as 4001 with pressure switch tool actuation
- 4002 - Riser base for (2) tools, same functions as 4001
- 4002P - Riser base for (2) tools, same as 4002 with pressure switch tool actuation
- 4003 - Riser base for (3) tools, same functions as 4001
- 4001P - Riser base for (3) tools, same as 4003 with pressure switch tool actuation
- 4004 - Riser base for (4) tools, same functions as 4001
- 4004P - Riser base for (4) tools, same as 4004 with pressure switch tool actuation

* The 400 Series Riser and Controller is factory configured to your application and leak test instrument requirements. Please contact the factory for application assistance and control options.

ETS Series Part Number Keys

Tool Part Number Key



System

Electronic Tool System

Tool Size Identifier

1 - Tool size 1 (ø22 mm)
2 - Tool size 2 (ø33 mm)

Type of Connection / Sealing

E - External seal
I - Internal seal

Special 5 Digit Configuration Code

Blank = None
Example - 01234, etc.

Seal Material

Blank - Neoprene main seal / Viton body seal(s)
U - Urethane main seal / Viton body seal(s)
M - Medical grade Neoprene main seal / Viton internal body seal(s)

Sealing Range - E Type	Sealing Range - E Type	Sealing Range - I Type	Sealing Range - I Type
Tool Size 1 Smooth Tube 0050 - 0.030" to 0.050" 0080 - 0.050" to 0.080" 0130 - 0.080" to 0.130"	Tool Size 2 Smooth Tube 0180 - 0.100" to 0.180" 0260 - 0.180" to 0.260" 0340 - 0.260" to 0.340" 0420 - 0.340" to 0.420" 0510 - 0.420" to 0.510" 0512 - 0.433" to 0.512" 0591 - 0.512" to 0.591" 0669 - 0.591" to 0.669" 0750 - 0.669" to 0.750" 0827 - 0.750" to 0.827" Threaded T012 - 1/8" T025 - 1/4" T038 - 3/8"	Tool Size 1 Smooth Tube 0310 - 0.310" to 0.330" 0330 - 0.330" to 0.394" Threaded T012 - 1/8"	Tool Size 2 Smooth Tube 0394 - 0.394" to 0.472" 0472 - 0.472" to 0.551" 0551 - 0.551" to 0.630" 0630 - 0.630" to 0.709" 0709 - 0.709" to 0.787" 0787 - 0.787" to 0.866" 0866 - 0.866" to 0.945" 0945 - 0.945" to 1.024" 1024 - 1.024" to 1.102" 1102 - 1.102" to 1.181" 1181 - 1.181" to 1.260" 1260 - 1.260" to 1.339" Threaded T025 - 1/4" T038 - 3/8" T050 - 1/2" T075 - 3/4" T100 - 1"

Cable Part Number Key



System

Electronic Tool System

Cable Type

CC - I/O Control cable, M12 (4-pin) single ended female
TC - Tool cable, M12 (4-pin) male to female extension

Special 5 Digit Configuration Code

Blank = None
Example - 01234, etc.

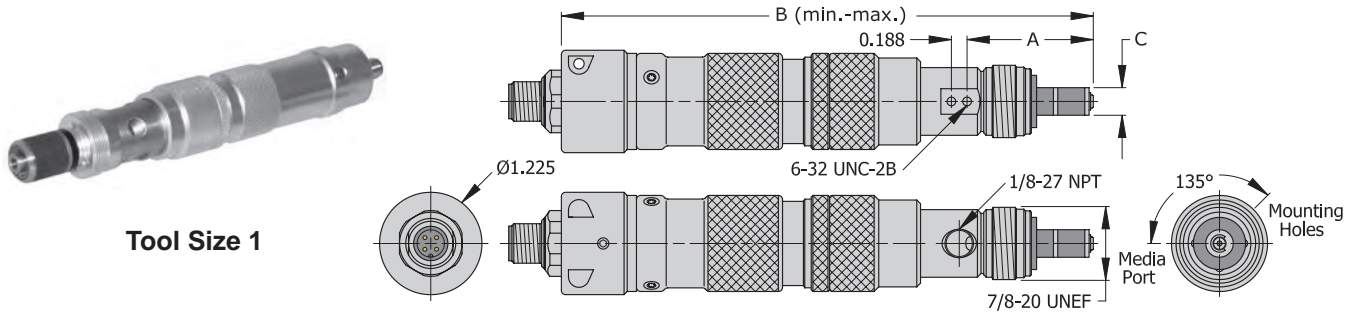
Cable Length

2M = 2 meters; 4M = 4 meters; 6M = 6 meters
Additional lengths available, consult factory

ETS

Electronic Tool System (ETS)

FasTest ETS Internal - Connectors for Internal Tubes and Threads



Internal "I Type" Connectors for Smooth Tubes - Neoprene Seals

Part Number	Sealing Range	Dim A	Dim B	Dim C	Seal Material	Main Seal Set*	Main Seals Package (5)
ETS-1I-0310	0.310"-0.330"	1.506"	6.838"-6.593"	0.300"	Neoprene	FIS01-0300	FIB01-0300
ETS-1I-0330	0.330"-0.394"			0.330"		FIS01-01	FIB01-01

Internal "I Type" Connectors for Smooth Tubes - Urethane Seals

Part Number	Sealing Range	Dim A	Dim B	Dim C	Seal Material	Main Seal Set*	Main Seals Package (5)
ETS-1I-0310-U	0.310"-0.330"	1.506"	6.838"-6.593"	0.300"	Urethane	FIS01-0300UR	FIB01-0300UR
ETS-1I-0330-U	0.330"-0.394"			0.330"		FIS01-01UR	FIB01-01UR

Internal "I Type" Connectors for Threads - Urethane Seals

Part Number	Sealing Range	Dim A	Dim B	Dim C	Seal Material	Main Seal Set*	Main Seals Package (5)
ETS-1I-T012	1/8" NPT	1.506"	6.838"-6.593"	0.330"	Urethane	FIS01-1/8NPT	FIB01-1/8NPT

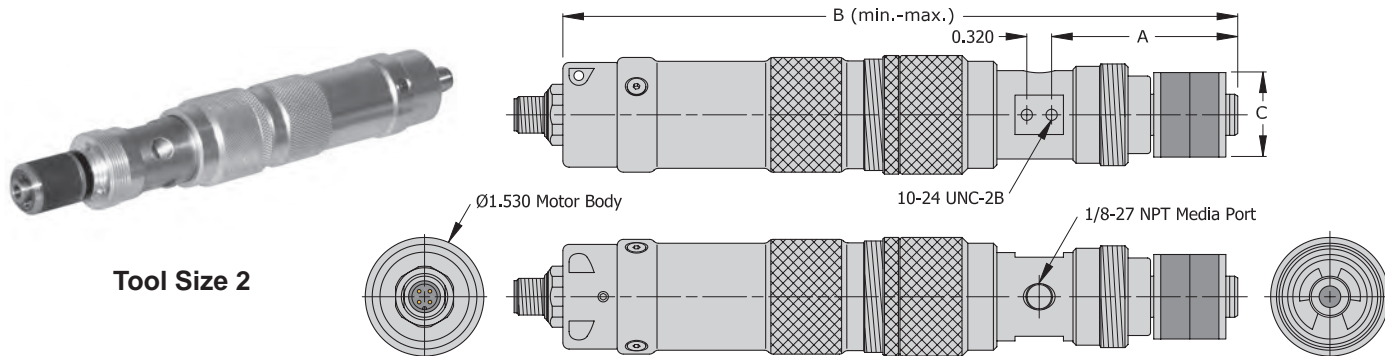
Housing Materials: Stainless steel and clear anodized aluminum

Body Seal(s) Viton

*Includes seal(s) and metal parts for one complete seal change.

Electronic Tool System (ETS)

FasTest ETS Internal - Connectors for Internal Tubes and Threads



Tool Size 2

ETS

Internal "I Type" Connectors for Smooth Tubes - Neoprene Seals

Part Number	Sealing Range	Dim A	Dim B	Dim C	Seal Material	Main Seal Set*	Main Seals Package (5)
ETS-2I-0394	0.394"-0.472"	1.900"	8.800"-8.440"	0.382"	Neoprene	FIS1-11	FIB1-11
ETS-2I-0472	0.472"-0.551"			0.460"		FIS1-12	FIB1-12
ETS-2I-0551	0.551"-0.630"			0.539"		FIS1-13	FIB1-13
ETS-2I-0630	0.630"-0.709"			0.618"		FIS2-21	FIB2-21
ETS-2I-0709	0.709"-0.787"			0.697"		FIS2-22	FIB2-22
ETS-2I-0787	0.787"-0.866"			0.775"		FIS2-23	FIB2-23
ETS-2I-0866	0.866"-0.945"	2.400"	9.300"-8.940"	0.854"		FIS3-31	FIB3-31
ETS-2I-0945	0.945"-1.024"			0.933"		FIS3-32	FIB3-32
ETS-2I-1024	1.024"-1.102"			1.012"		FIS3-33	FIB3-33
ETS-2I-1102	1.102"-1.181"			1.090"		FIS4-41	FIB4-41
ETS-2I-1181	1.181"-1.260"			1.169"		FIS4-42	FIB4-42
ETS-2I-1260	1.260"-1.339"			1.248"		FIS4-43	FIB4-43

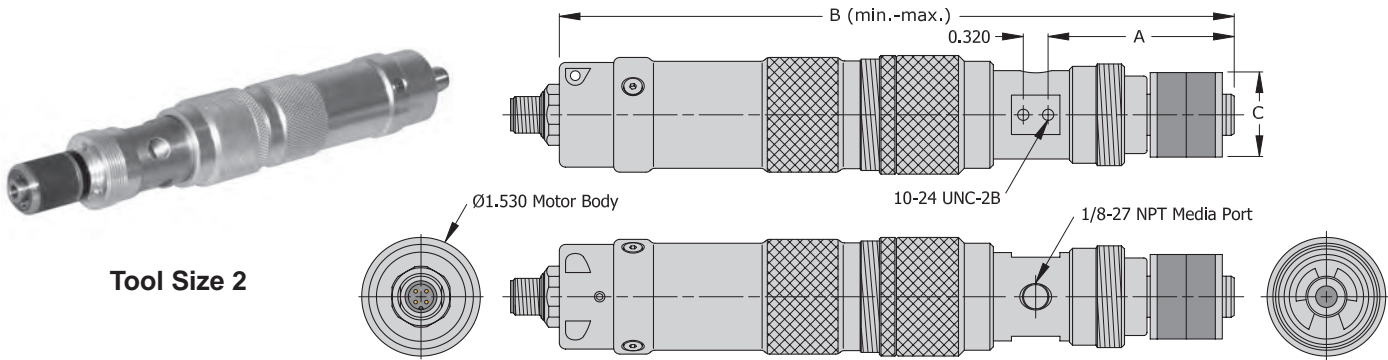
Housing Materials: Stainless steel and clear anodized aluminum

Body Seal(s) Viton

*Includes seal(s) and metal parts for one complete seal change.

Electronic Tool System (ETS)

FasTest ETS Internal - Connectors for Internal Tubes and Threads



Internal "I Type" Connectors for Smooth Tubes - Urethane Seals

Part Number	Sealing Range	Dim A	Dim B	Dim C	Seal Material	Main Seal Set*	Main Seals Package (5)
ETS-2I-0394-U	0.394"-0.472"	1.900"	8.800"-8.440"	0.382"	Urethane	FIS1-11UR	FIB1-11UR
ETS-2I-0472-U	0.472"-0.551"			0.460"		FIS1-12UR	FIB1-12UR
ETS-2I-0551-U	0.551"-0.630"			0.539"		FIS1-13UR	FIB1-13UR
ETS-2I-0630-U	0.630"-0.709"			0.618"		FIS2-21UR	FIB2-21UR
ETS-2I-0709-U	0.709"-0.787"			0.697"		FIS2-22UR	FIB2-22UR
ETS-2I-0787-U	0.787"-0.866"			0.775"		FIS2-23UR	FIB2-23UR
ETS-2I-0866-U	0.866"-0.945"	2.400"	9.300"-8.940"	0.854"		FIS3-31UR	FIB3-31UR
ETS-2I-0945-U	0.945"-1.024"			0.933"		FIS3-32UR	FIB3-32UR
ETS-2I-1024-U	1.024"-1.102"			1.012"		FIS3-33UR	FIB3-33UR
ETS-2I-1102-U	1.102"-1.181"			1.090"		FIS4-41UR	FIB4-41UR
ETS-2I-1181-U	1.181"-1.260"			1.169"		FIS4-42UR	FIB4-42UR
ETS-2I-1260-U	1.260"-1.339"			1.248"		FIS4-43UR	FIB4-43UR

Internal "I Type" Connectors for Threads - Urethane Seals

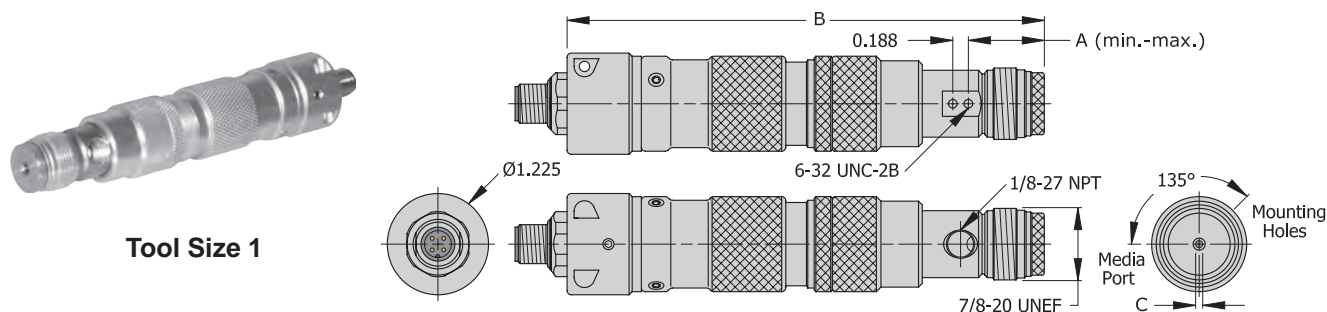
Part Number	Sealing Range	Dim A	Dim B	Dim C	Seal Material	Main Seal Set*	Main Seals Package (5)
ETS-2I-T025	1/4" NPT	1.900"	8.800"-8.440"	0.425"	Urethane	FIS1-1/4NPT	FIB1-1/4NPT
ETS-2I-T038	3/8" NPT			0.560"		FIS2-3/8NPT	FIB2-3/8NPT
ETS-2I-T050	1/2" NPT			0.690"		FIS2-1/2NPT	FIB2-1/2NPT
ETS-2I-T075	3/4" NPT	2.400"	9.300"-8.940"	0.890"		FIS3-3/4NPT	FIB3-3/4NPT
ETS-2I-T100	1" NPT			1.125"		FIS4-1NPT	FIB4-1NPT

Housing Materials: Stainless steel and clear anodized aluminum
 Body Seal(s) Viton

*Includes seal(s) and metal parts for one complete seal change.

Electronic Tool System (ETS)

FasTest ETS External - Connectors for External Tubes and Threads



External “E Type” Connectors for Smooth Tubes - Neoprene Seals

Part Number	Sealing Range	Dim A	Dim B	Dim C	Seal Material	Main Seal Set*	Main Seals Package (5)
ETS-1E-0050	0.030"-0.050"	0.936"-1.150"	6.238"	0.050"	Neoprene	ETS-S0050	FEB001-0050
ETS-1E-0080	0.050"-0.080"	0.906"-1.150"		0.086"		ETS-S0080	FEB001-001
ETS-1E-0130	0.080"-0.130"	0.936"-1.150"		0.136"		ETS-S0130	FEB001-002

External “E Type” Connectors for Smooth Tubes - Medical Viton Seals

Part Number	Sealing Range	Dim A	Dim B	Dim C	Seal Material	Main Seal Set*	Main Seals Package (5)
ETS-1E-0050-M	0.030"-0.050"	0.936"-1.150"	6.238"	0.050"	Medical Viton	ETS-S0050M	MEB001-0050
ETS-1E-0080-M	0.050"-0.080"	0.906"-1.150"		0.086"		ETS-S0080M	MEB001-001
ETS-1E-0130-M	0.080"-0.130"	0.936"-1.150"		0.136"		ETS-S0130M	MEB001-002

Housing Materials: Stainless steel and clear anodized aluminum

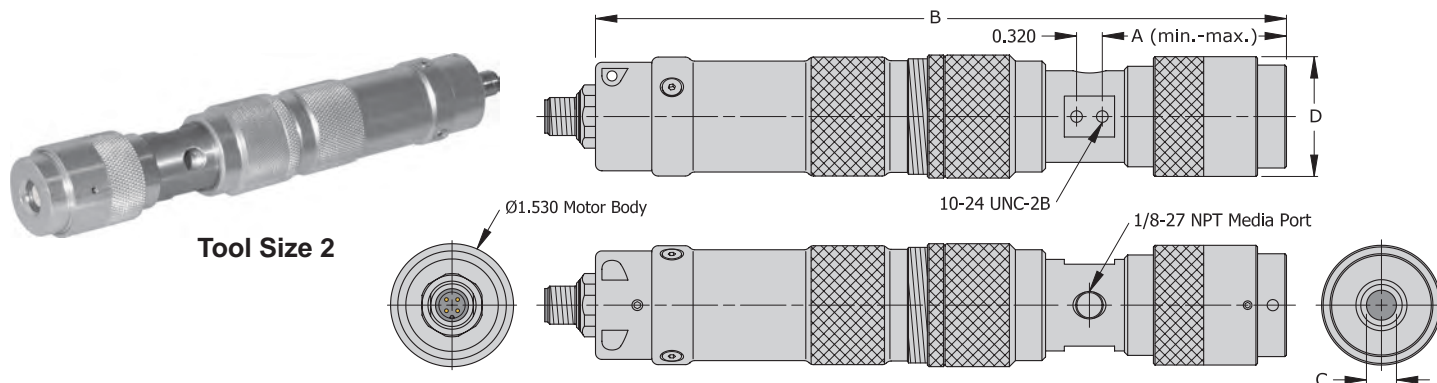
Body Seal(s) Viton

*Includes seal(s) and metal parts for one complete seal change.

ETS

Electronic Tool System (ETS)

FasTest ETS External - Connectors for External Tubes and Threads



External “E Type” Connectors for Smooth Tubes - Neoprene Seals

Part Number	Sealing Range	Dim A	Dim B	Dim C	Dim D	Seal Material	Main Seal Set*	Main Seals Package (5)
ETS-2E-0180	0.100"-0.180"	2.170"-2.530"	9.071"	0.190"	1.490"	Neoprene	FES01-01	FEB01-01
ETS-2E-0260	0.180"-0.260"			0.270"			FES01-02	FEB01-02
ETS-2E-0340	0.260"-0.340"			0.350"			FES01-03	FEB01-03
ETS-2E-0420	0.340"-0.420"			0.430"			FES01-04	FEB01-04
ETS-2E-0510	0.420"-0.510"			0.520"			FES01-05	FEB01-05
ETS-2E-0512	0.433"-0.512"	2.410"-2.770"	9.311"	0.524"	2.220"		FES1-15	FEB1-15
ETS-2E-0591	0.512"-0.591"			0.603"			FES1-16	FEB1-16
ETS-2E-0669	0.591"-0.669"			0.679"			FES1-17	FEB1-17
ETS-2E-0750	0.669"-0.750"			0.760"			FES1-18	FEB1-18
ETS-2E-0827	0.750"-0.827"			0.839"			FES1-19	FEB1-19

External “E Type” Connectors for Smooth Tubes - Medical Viton Seals

Part Number	Sealing Range	Dim A	Dim B	Dim C	Dim D	Seal Material	Main Seal Set*	Main Seals Package (5)
ETS-2E-0180-M	0.100"-0.180"	2.170"-2.530"	9.071"	0.190"	1.490"	Medical Viton	MES01-01	MEB01-01
ETS-2E-0260-M	0.180"-0.260"			0.270"			MES01-02	MEB01-02
ETS-2E-0340-M	0.260"-0.340"			0.350"			MES01-03	MEB01-03
ETS-2E-0420-M	0.340"-0.420"			0.430"			MES01-04	MEB01-04
ETS-2E-0510-M	0.420"-0.510"			0.520"			MES01-05	MEB01-05

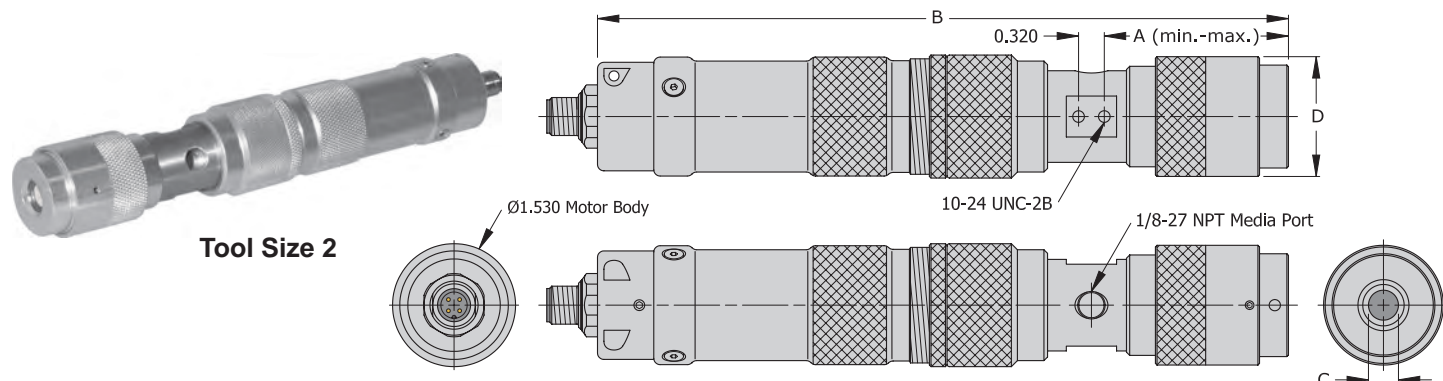
Housing Materials: Stainless steel and clear anodized aluminum

Body Seal(s) Viton

*Includes seal(s) and metal parts for one complete seal change.

Electronic Tool System (ETS)

FasTest ETS External - Connectors for External Tubes and Threads



External “E Type” Connectors for Smooth Tubes - Urethane Seals

Part Number	Sealing Range	Dim A	Dim B	Dim C	Dim D	Seal Material	Main Seal Set*	Main Seals Package (5)
ETS-2E-0180-U	0.100"-0.180"	2.170"-2.530"	9.071"	0.190"	1.490"	Urethane	FES01-01UR	FEB01-01UR
ETS-2E-0260-U	0.180"-0.260"			0.270"			FES01-02UR	FEB01-02UR
ETS-2E-0340-U	0.260"-0.340"			0.350"			FES01-03UR	FEB01-03UR
ETS-2E-0420-U	0.340"-0.420"			0.430"			FES01-04UR	FEB01-04UR
ETS-2E-0510-U	0.420"-0.510"			0.520"			FES01-05UR	FEB01-05UR
ETS-2E-0512-U	0.433"-0.512"	2.410"-2.770"	9.311"	0.524"	2.220"		FES1-15UR	FEB1-15UR
ETS-2E-0591-U	0.512"-0.591"			0.603"			FES1-16UR	FEB1-16UR
ETS-2E-0669-U	0.591"-0.669"			0.679"			FES1-17UR	FEB1-17UR
ETS-2E-0750-U	0.669"-0.750"			0.760"			FES1-18UR	FEB1-18UR
ETS-2E-0827-U	0.750"-0.827"			0.839"			FES1-19UR	FEB1-19UR

External “E Type” Connectors for Threads - Urethane Seals

Part Number	Sealing Range	Dim A	Dim B	Dim C	Dim D	Seal Material	Main Seal Set*	Main Seal Package (5)
ETS-2E-T012	1/8" NPT	2.170"-2.530"	9.071"	0.410"	1.490"	Urethane	FES01-1/8NPT	FEB01-1/8NPT
ETS-2E-T025	1/4" NPT	2.410"-2.770"	9.311"	0.550"	2.220"		FES1-1/4NPT	FEB1-1/4NPT
ETS-2E-T038	3/8" NPT			0.679"			FES1-3/8NPT	FEB1-3/8NPT

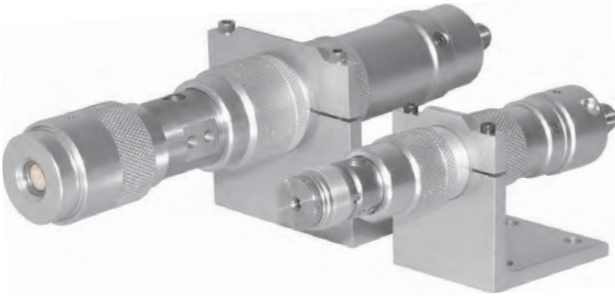
Housing Materials: Stainless steel and clear anodized aluminum

Body Seal(s) Viton

*Includes seal(s) and metal parts for one complete seal change.

Accessories

Foot Mounting Brackets



TS1901
Tool Size 1



TS2901
Tool Size 2

The Foot Bracket securely holds the Tool by clamping around the outside diameter. There are optional mounting holds within the midsection of the Tool. Refer to installation instructions or contact **FasTest** for assistance.

Typical ETS 400 Installation

Compact Leak Test Instrument



The ETS 400 can incorporate from 1 to 4 ETS Tools into one compact rugged enclosure. Our unique "Plug & Play" installation is specifically designed for use with compact leak test instruments.

Simply place the ETS 400 on top of a bench or workstation, place your leak test instrument on top, make the test media connection(s), make the clamp valve or optional M12 I/O connection and start testing!

The ETS 400 is typically configured to meet application requirements, consult factory with details regarding your application.

ETS 400 Riser Configuration with 4 Type E, Size 2 Tools

TwistMate®

FasTest's complete product family of **TwistMate** connectors, plugs and caps provide fast leak tight threaded connections for testing, filling, flushing, plugging, calibrating or venting applications. Simply spin our connectors finger-tight onto thread until face seal contacts test piece.

TwistMates seal automatically when the system is pressurized. Air, gas or hydraulic pressure in the system provides a sealing force that presses the main seal against the face of the threads. This automatic internal piston action maintains the seal with minimum pressure.



TwistMate

Features:

- Pressure assisted grip and seal technology
- Available in NPT, BSPP, BSPT, SAE, Metric and special thread profiles
- Repair kits available for extended connector service life
- Finger-tight pneumatic or hydraulic connections from vacuum to 10,000 psi
- Stainless steel construction for corrosion resistance
- Reduce production losses, retest time, scrap and test damage repair costs

Applications:

- Water dunk leak testing
- Leak, flow, flushing or washing
- Cylinders, manifolds, valves, pumps filters and assemblies
- Bubble, pressure decay and mass spectrometer testing
- Heat exchangers, brake and steering system assemblies
- Capping and plugging pipes, fittings or hose ends

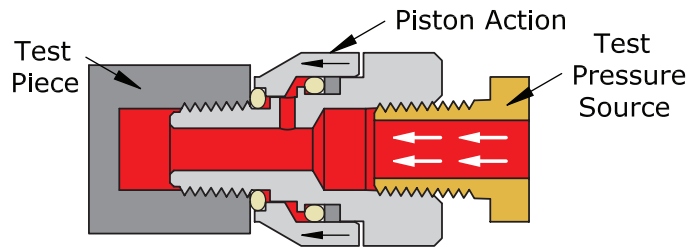
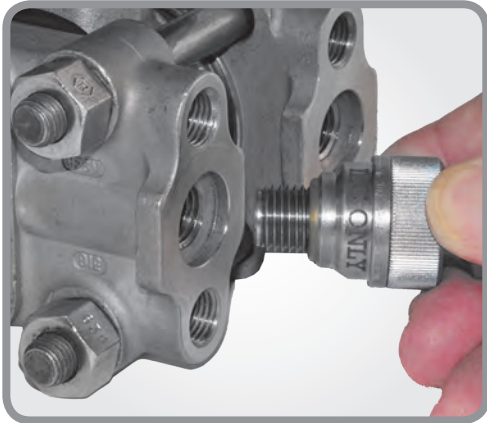
	Contents	Page(s)
	Tech Info	D1-D3
Internal Threads	NPT	D4
	SAE	D6
	BSPP	D7
	BSPT	D8
	Plugs - All	D9
	Metric	D10
External Threads	NPT	D11
	SAE	D13
	BSPP	D14
	BSPT	D14
	Caps - All	D15

The TwistMate Technology

The **TwistMate** family of products use an innovative “*twist to connect*” and pressure assisted grip and seal technology to deliver a fast, safe and repeatable high pressure or vacuum testing connection in threaded ports

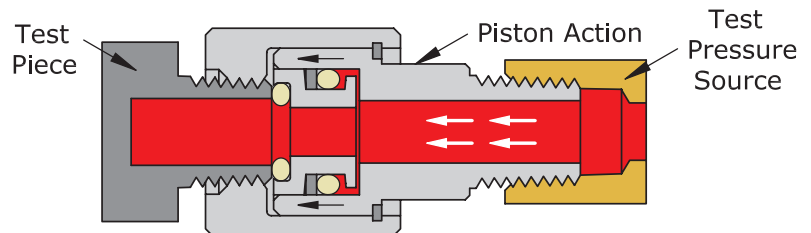
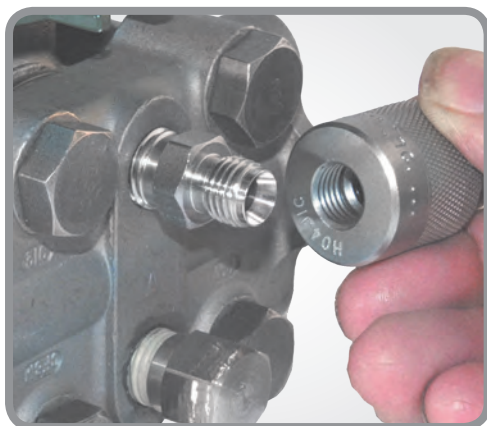
or tubing. This sealing technique creates an improved seal as pressures increase and eliminates the traditional sealing methods using tape and wrenches that can damage internal or external threads.

“MIT Series” Connectors for Internal / Female Threads



1. Spin **TwistMate** into the threaded port until the seal makes contact.
2. Introduce the media and pressure. The external sleeve automatically moves toward the test piece enhancing the seal squeeze. Vacuum applications will require finger tightening.

“MET Series” Connectors for External / Male Threads



1. Spin **TwistMate** on to the threaded port until the seal makes contact.
2. Introduce the media and pressure. The internal piston automatically moves toward the test piece enhancing the seal squeeze. Vacuum applications will require finger tightening.

TwistMate® - Threaded Connectors

TwistMate Part Number Key



Model

MET - Mechanical External Thread
MIT - Mechanical Internal Thread

Optional Configurations

Blank = Standard
 C = For curved surfaces
 H = High pressure

Connector Size	NPT BSPP/T	SAE	Metric
02	1/8	--	--
03	--	3/8-24	--
04	1/4	7/16-20	--
05	--	1/2-20	--
06	3/8	9/16-18 or 5/8-18	--
08	1/2	3/4-16	--
10	--	7/8-14	M10 x 1
12	3/4	1 1/16-12	M12 x 1
14	--	1 3/16-12	M14 x 1
161	1 5/16-12	M16 x 1
18	--	--	M18 x 1.5
20	1-1/4	1 5/8-12	M20 x 1.5
22	--	--	M22 x 1.5
24	1-1/2	1 7/8-12	--
322	--	--
402-1/2	--	--
483	--	--
644	--	--

Connector Type

- 1 = Female NPT
- 2 = Male NPT
- 3 = Female SAE, O-ring Boss
- 4 = Male SAE O-ring Boss
- 5 = Female BSPP
- 5T = Female BSPT
- 6 = Male BSPP
- 6T = Male BSPT
- 7 = Female metric
- 8 = Male metric
- 9 = Female SAE 37° flare
- 0 = Male SAE 37° flare
- A = Female SAE 45° flare

Special Options

Blank = None
 PT = For thin walled pipe threads

Seal Material

Blank = Standard seal (see individual part numbers)
 B = Buna-N
 E = EPDM
 N = Neoprene
 S = Silicone
 U = Urethane
 V = Viton

Connector Configuration

Blank = Swivel style
 X = Non-Swivel connector

Termination Type

- 1 = Female NPT
- 2 = Male NPT
- 3 = Female SAE, O-ring Boss
- 4 = Male SAE O-ring Boss
- 5 = Female BSPP
- 5T = Female BSPT
- 6 = Male BSPP
- 6T = Male BSPT
- 7 = Female metric
- 8 = Male metric
- 9 = Female SAE 37° flare
- 0 = Male SAE 37° flare
- A = Female SAE 45° flare

Termination Size	NPT	SAE
02	1/8	--
04	1/4	7/16-20
06	3/8	9/16-18
08	1/2	3/4-16
10	--	7/8-14
12	3/4	1 1/16-12
16	1	--
20	1-1/4	--
24	1-1/2	--
C = Cap		
P = Plug		

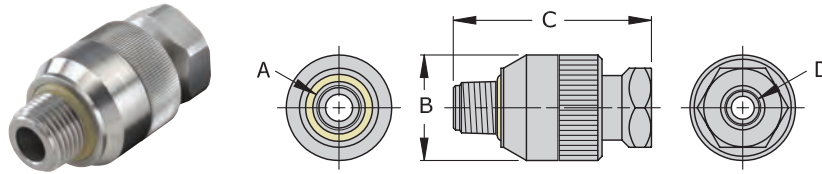
TwistMate

Notes:

Part Number Keys are to assist in IDENTIFICATION ONLY.
 Verify new part numbers with factory; some configurations are not possible.

TwistMate® - Threaded Connectors

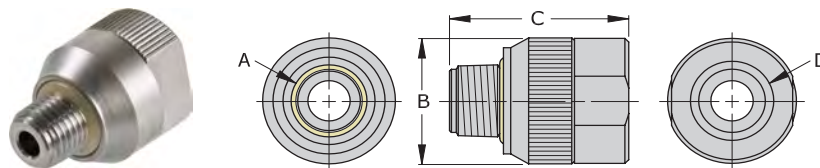
Connectors for Internal (Female) NPT Threads



NPT - Swivel Style (per SAE J476 or ANSI B1.20)

Part Number	Dim A	Dim B	Dim C	Dim D	Rating PSI	Housing Style	Seal Material	Repair Kit	Main Seals Package (5)
MIT-022021	1/8" NPT	0.82"	1.68"	1/8" NPT	5000	Swivel	Urethane*	MITR-020	S1109-U70
MIT-042041	1/4" NPT	1.00"	1.88"	1/4" NPT				MITR-040	S1111-U70
MIT-062061	3/8" NPT	1.18"	2.09"	3/8" NPT	4000			MITR-060	S1113-U70
MIT-082081	1/2" NPT	1.36"	2.57"	1/2" NPT				MITR-080	S1209-U70
MIT-122121	3/4" NPT	1.68"	2.73"	3/4" NPT				MITR-120	S1213-U70
MIT-162161	1" NPT	2.00"	3.27"	1" NPT				MITR-160	S1216-U70

*Optional seal materials are FKM (Viton), EPDM and Buna N - Example: MIT-022021E = EPDM



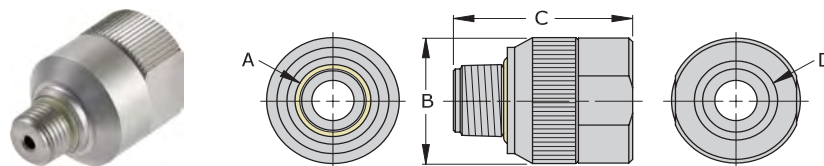
NPT - Non-Swivel Style (per SAE J476 or ANSI B1.20)

Part Number	Dim A	Dim B	Dim C	Dim D	Rating PSI	Housing Style	Seal Material	Repair Kit	Main Seals Package (5)
MIT-022021X	1/8" NPT	0.82"	1.24"	1/8" NPT	5000	Non Swivel	Urethane*	MITR-02	S1109-U70
MIT-042041X	1/4" NPT	1.00"	1.41"	1/4" NPT				MITR-04	S1111-U70
MIT-062061X	3/8" NPT	1.18"	1.48"	3/8" NPT	4000			MITR-06	S1113-U70
MIT-082081X	1/2" NPT	1.36"	1.85"	1/2" NPT				MITR-08	S1209-U70
MIT-122121X	3/4" NPT	1.68"	1.94"	3/4" NPT				MITR-12	S1213-U70
MIT-162161X	1" NPT	2.00"	2.07"	1" NPT				MITR-16	S1216-U70
MIT-202201X	1-1/4" NPT	2.38"	2.13"	1-1/4" NPT	3000			MITR-20	S1222-U70
MIT-242241X	1-1/2" NPT	2.74"	2.40"	1-1/2" NPT				MITR-24	S1327-U70
MIT-322161X	2" NPT	3.47"	2.68"	1" NPT	2500			MITR-32	S1331-U70
MIT-402161X	2-1/2" NPT	3.97"	3.42"	1" NPT	1500			MITR-40	S1335-U70
MIT-482161X	3" NPT	4.73"	3.68"	1" NPT		MITR-48	S1340-U70		
MIT-642161X	4" NPT	5.73"	3.68"	1" NPT		1000	MITR-64	S1348-U70	

*Optional seal materials are FKM (Viton), EPDM and Buna N - Example: MIT-022021XY = FKM (Viton)

TwistMate® - Threaded Connectors

Connectors for Internal (Female) NPT Threads on Curved Surfaces



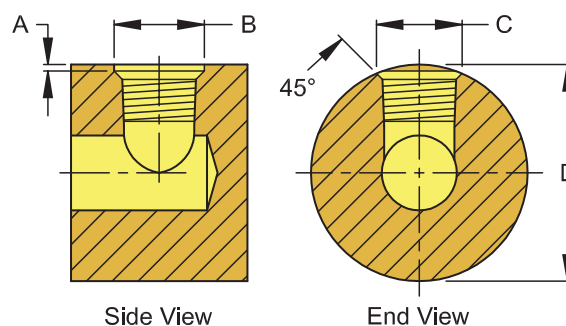
NPT - Non-Swivel Style for Curved Surfaces (per SAE J476 or ANSI B1.20)

Part Number	Dim A	Dim B	Dim C	Dim D	Rating PSI	Housing Style	Seal Material	Repair Kit	Main Seals Package (5)
MITC-022021X	1/8" NPT	0.82"	1.24"	1/8" NPT	5000	Non Swivel	Urethane*	MITR-02	S1010-U70
MITC-042041X	1/4" NPT	1.00"	1.41"	1/4" NPT				MITR-04	S1013-U70

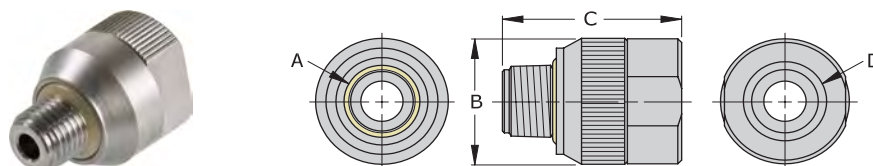
*Optional seal materials are FKM (Viton), EPDM and Buna N - Example: MITC-042041XB = Buna N

The **TwistMate** MITC Series connectors are designed to seal the port on the round of a surface better and with less effort. The unique chamfer seal design provides positive sealing with no thread sealants or wrench tightening.

Part Number	Max. at Dim A	Bore Ø. Dim B	Chamfer Ø Dim C	Min. Body Ø Dim D
MITC-022021X	0.030"	0.500"	0.440"	0.880"
MITC-042041X	0.045"	0.625"	0.570"	1.200"



TwistMate



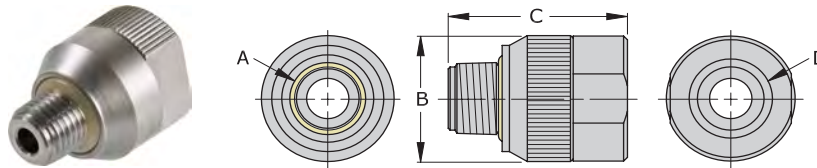
NPT - Non-Swivel Style for High Pressure (per SAE J476 or ANSI B1.20)

Part Number	Dim A	Dim B	Dim C	Dim D	Rating PSI	Housing Style	Seal Material	Repair Kit	Main Seals Package (5)
MITH-022021X	1/8" NPT	0.82"	1.24"	1/8" NPT	10,000	Non Swivel	Urethane*	MITR-02	S1109-U70
MITH-042041X	1/4" NPT	1.00"	1.41"	1/4" NPT				MITR-04	S1111-U70
MITH-062061X	3/8" NPT	1.18"	1.48"	3/8" NPT				MITR-06	S1113-U70
MITH-082081X	1/2" NPT	1.36"	1.85"	1/2" NPT	8000			MITR-08	S1209-U70
MITH-122121X	3/4" NPT	1.68"	1.94"	3/4" NPT	7500			MITR-12	S1213-U70
MITH-162161X	1" NPT	2.00"	2.07"	1" NPT	6500			MITR-16	S1216-U70

*Optional seal materials is EPDM - Example: MITH-042041XE = EPDM

TwistMate® - Threaded Connectors

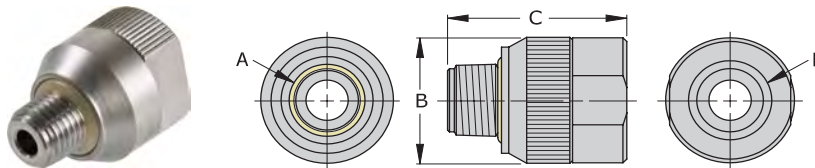
Connectors for Internal (Female) SAE O-Ring Boss Threads



SAE - Non-Swivel Style (per SAE J1926 or ISO 11926)

Part Number	Dim A	Dim B	Dim C	Dim D	Rating PSI	Housing Style	Seal Material	Repair Kit	Main Seals Package (5)
MIT-034021X	-3 (3/8-24)	0.82"	1.29"	1/8" NPT	5000	Non Swivel	Urethane*	MITR-02	S1109-U70
MIT-044021X	-4 (7/16-20)	0.82"	1.29"	1/8" NPT					S1109-U70
MIT-054041X	-5 (1/2-20)	1.00"	1.41"	1/4" NPT				MITR-04	S1111-U70
MIT-064041X	-6 (9/16-18)	1.00"	1.41"	1/4" NPT					S1111-U70
MIT-084081X	-8 (3/4-16)	1.36"	1.85"	1/2" NPT	4000			MITR-08	S1209-U70
MIT-104081X	-10 (7/8-14)	1.36"	1.85"	1/2" NPT					S1209-U70
MIT-124121X	-12 (1 1/16-12)	1.68"	1.94"	3/4" NPT				MITR-12	S1213-U70
MIT-144161X	-14 (1 3/16-12)	2.00"	2.13"	1" NPT					S1216-U70
MIT-164161X	-16 (1 5/16-12)	2.00"	2.13"	1" NPT				MITR-16	S1217-U70
MIT-204201X	-20 (1 5/8-12)	2.38"	2.13"	1-1/4" NPT					S1222-U70

*Optional seal materials are FKM (Viton), EPDM and Buna N - Example: MIT-044021XV = FKM (Viton)



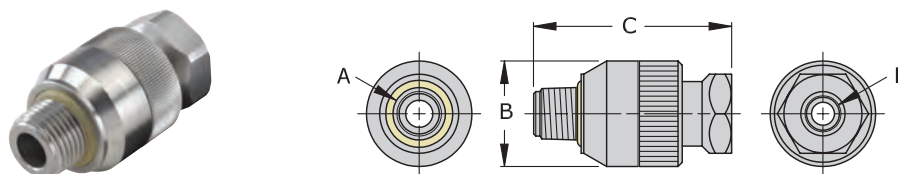
SAE - Non-Swivel Style for High Pressure (per SAE J1926 or ISO 11926)

Part Number	Dim A	Dim B	Dim C	Dim D	Rating PSI	Housing Style	Seal Material	Repair Kit	Main Seals Package (5)
MITH-044021X	-4 (7/16-20)	0.82"	1.29"	1/8" NPT	10,000	Non Swivel	Urethane*	MITR-02	S1109-U70
MITH-064041X	-6 (9/16-18)	1.00"	1.41"	1/4" NPT					S1111-U70
MITH-084081X	-8 (3/4-16)	1.36"	1.85"	1/2" NPT	8000			MITR-08	S1209-U70
MITH-104081X	-10 (7/8-14)	1.36"	1.85"	1/2" NPT					S1209-U70
MITH-124121X	-12 (1 1/16-12)	1.68"	1.94"	3/4" NPT	7500			MITR-12	S1213-U70
MITH-144161X	-14 (1 3/16-12)	2.00"	2.13"	1" NPT					S1216-U70
MITH-164161X	-16 (1 5/16-12)	2.00"	2.13"	1" NPT	7000			MITR-16	S1217-U70
									S1217-U70

*Optional seal materials is EPDM - Example: MITH-064041XE = EPDM

TwistMate® - Threaded Connectors

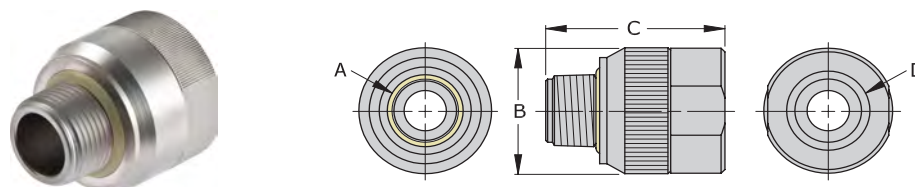
Connectors for Internal (Female) BSPF Threads



BSPF - Swivel Style (per ISO 228 or BS 2779)

Part Number	Dim A	Dim B	Dim C	Dim D	Rating PSI	Housing Style	Seal Material	Repair Kit	Main Seals Package (5)
MIT-026021	1/8" BSPF	0.82"	1.24"	1/8" NPT	5000	Swivel	Urethane*	MITR-020	S1109-U70
MIT-046041	1/4" BSPF	1.00"	1.41"	1/4" NPT				MITR-040	S1111-U70
MIT-066061	3/8" BSPF	1.18"	1.48"	3/8" NPT	4000			MITR-060	S1113-U70
MIT-086081	1/2" BSPF	1.36"	1.85"	1/2" NPT				MITR-080	S1209-U70

*Optional seal materials are FKM (Viton), EPDM and Buna N - Example: MIT-046041XB = Buna N



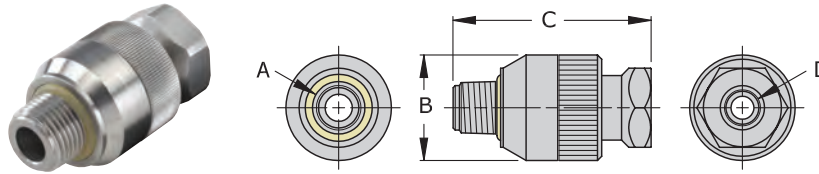
BSPF - Non-Swivel Style (per ISO 228 or BS 2779)

Part Number	Dim A	Dim B	Dim C	Dim D	Rating PSI	Housing Style	Seal Material	Repair Kit	Main Seals Package (5)
MIT-126121X	3/4" BSPF	1.68"	1.94"	3/4" NPT	4000	Non Swivel	Urethane*	MITR-12	S1213-U70
MIT-166161X	1" BSPF	2.00"	2.07"	1" NPT				MITR-16	S1216-U70

*Optional seal materials are FKM (Viton), EPDM and Buna N - Example: MIT-126121XV = FKM (Viton)

TwistMate® - Threaded Connectors

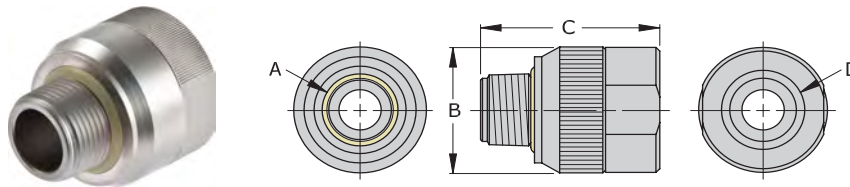
Connectors for Internal (Female) BSPT Threads



BSPT - Swivel Style (per ISO 7 or BS 21)

Part Number	Dim A	Dim B	Dim C	Dim D	Rating PSI	Housing Style	Seal Material	Repair Kit	Main Seals Package (5)
MIT-026T021	1/8" BSPT	0.82"	1.24"	1/8" NPT	5000	Swivel	Urethane*	MITR-020	S1109-U70
MIT-046T041	1/4" BSPT	1.00"	1.41"	1/4" NPT				MITR-040	S1111-U70
MIT-066T061	3/8" BSPT	1.18"	1.48"	3/8" NPT	4000			MITR-060	S1113-U70
MIT-086T081	1/2" BSPT	1.36"	1.85"	1/2" NPT				MITR-080	S1209-U70

*Optional seal materials are FKM (Viton), EPDM and Buna N - Example: MIT-046T041XV = FKM (Viton)



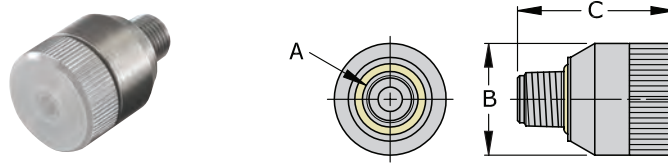
BSPT - Non-Swivel Style (per ISO 7 or BS 21)

Part Number	Dim A	Dim B	Dim C	Dim D	Rating PSI	Housing Style	Seal Material	Repair Kit	Main Seals Package (5)
MIT-126T121X	3/4" BSPT	1.68"	1.94"	3/4" NPT	4000	Non Swivel	Urethane*	MITR-12	S1213-U70
MIT-166T161X	1" BSPT	2.00"	2.07"	1" NPT				MITR-16	S1216-U70

*Optional seal materials are FKM (Viton), EPDM and Buna N - Example: MIT-126T121E = EPDM

TwistMate® - Threaded Connectors

Plugs for Internal (Female) NPT, BSPP and BSPT Threads



NPT Threads (per SAE J476 or ANSI B1.20)

Part Number	Dim A	Dim B	Dim C	Rating PSI	Housing Style	Seal Material	Repair Kit	Main Seals Package (5)
MIT-022P	1/8" NPT	0.82"	1.24"	5000	Plug	Urethane*	MITR-02	S1109-U70
MIT-042P	1/4" NPT	1.00"	1.41"				MITR-04	S1111-U70
MIT-062P	3/8" NPT	1.18"	1.48"	4000			MITR-06	S1113-U70
MIT-082P	1/2" NPT	1.36"	1.85"				MITR-08	S1209-U70
MIT-122P	3/4" NPT	1.68"	1.94"				Consult Factory	S1213-U70
MIT-162P	1" NPT	2.00"	2.07"					S1216-U70

*Optional seal materials are FKM (Viton), EPDM and Buna N - Example: MIT-042PV = FKM (Viton)

BSPP Threads (per ISO 228 or BS 2779)

Part Number	Dim A	Dim B	Dim C	Rating PSI	Housing Style	Seal Material	Repair Kit	Main Seals Package (5)
MIT-026P	1/8" BSPP	0.82"	1.24"	5000	Plug	Urethane*	MITR-02	S1109-U70
MIT-046P	1/4" BSPP	1.00"	1.41"				MITR-04	S1111-U70
MIT-066P	3/8" BSPP	1.18"	1.48"	4000			MITR-06	S1113-U70
MIT-086P	1/2" BSPP	1.36"	1.85"				MITR-08	S1209-U70

*Optional seal materials are FKM (Viton), EPDM and Buna N - Example: MIT-046PE = EPDM

BSPT Threads (per ISO 7 or BS 21)

Part Number	Dim A	Dim B	Dim C	Rating PSI	Housing Style	Seal Material	Repair Kit	Main Seals Package (5)
MIT-026TP	1/8" BSPT	0.82"	1.24"	5000	Plug	Urethane*	MITR-02	S1109-U70
MIT-046TP	1/4" BSPT	1.00"	1.41"				MITR-04	S1111-U70
MIT-066TP	3/8" BSPT	1.18"	1.48"	4000			MITR-06	S1113-U70
MIT-086TP	1/2" BSPT	1.36"	1.85"				MITR-08	S1209-U70

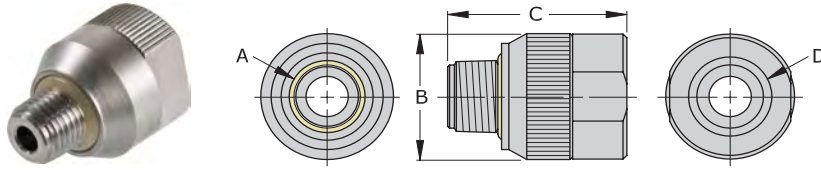
*Optional seal materials are FKM (Viton), EPDM and Buna N - Example: MIT-046PB = Buna N

TwistMate Internal Repair Kits

Swivel style repair kits contains 2 internal Buna N O-rings, 2 backup rings and 1 snap ring.
 Non-Swivel style repair kits contain 1 internal Buna N O-ring and 1 backup ring.
 Repair kits do not include main seal replacement.
 For additional kits consult factory.

TwistMate® - Threaded Connectors

Connectors for Internal (Female) ISO O-Ring Metric Threads



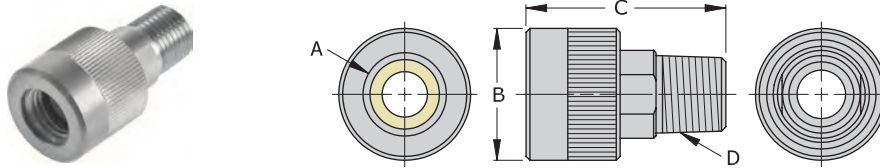
ISO O-Ring Metric - Non-Swivel Style (per ISO 6149 or SAE J2244)

Part Number	Dim A	Dim B	Dim C	Dim D	Rating PSI	Housing Style	Seal Material	Repair Kit	Main Seals Package (5)
MIT-108021X	M10 x 1.0	0.82"	1.30"	1/8" NPT	5000	Non Swivel	Urethane*	MITR-02	S1109-U70
MIT-128041X	M12 x 1.5	1.00"	1.42"	1/4" NPT				MITR-04	S1110-U70
MIT-148041X	M14 x 1.5	1.00"	1.42"	1/4" NPT				MITR-04	S1111-U70
MIT-168061X	M16 x 1.5	1.18"	1.56"	3/8" NPT	4000			MITR-06	S1113-U70
MIT-188061X	M18 x 1.5	1.18"	1.56"	3/8" NPT				MITR-06	S1114-U70
MIT-228081X	M22 x 1.5	1.36"	1.87"	1/2" NPT				MITR-08	S1116-U70

*Optional seal materials are FKM (Viton), EPDM and Buna N - Example: MIT-148041X~~U~~Y = FKM (Viton)

TwistMate® - Threaded Connectors

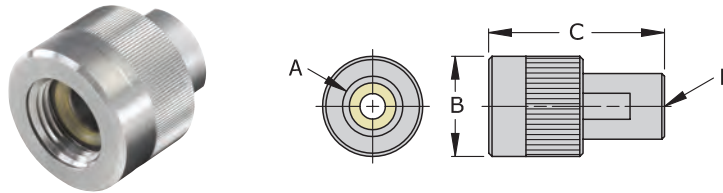
Connectors for External (Male) NPT Threads



NPT Threads (per SAE J476 or ANSI B1.20)

Part Number	Dim A	Dim B	Dim C	Dim D	Rating PSI	Housing Style	Seal Material	Repair Kit	Main Seals Package (5)
MET-021022	1/8" NPT	0.82"	1.51"	1/8" NPT	5000	Swivel	Urethane*	METR-02	S1105-U70
MET-041042	1/4" NPT	0.94"	1.74"	1/4" NPT				METR-04	S1108-U70
MET-061062	3/8" NPT	1.18"	1.78"	3/8" NPT	4000			METR-06	S1110-U70
MET-081082	1/2" NPT	1.60"	2.05"	1/2" NPT				METR-08	S1112-U70
MET-121122	3/4" NPT	1.68"	2.34"	3/4" NPT				METR-12	S1115-U70
MET-161162	1" NPT	2.00"	2.74"	1" NPT	2500			METR-16	S1212-U70
MET-201202	1-1/4" NPT	2.37"	3.27"	1-1/4" NPT				METR-20	S1217-U70

TwistMate



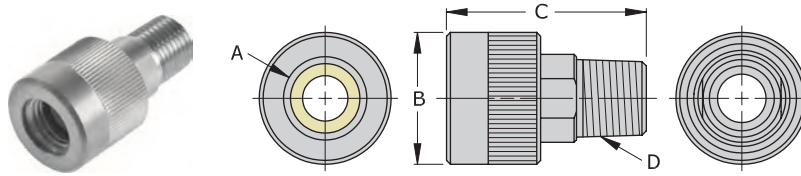
NPT Threads (per SAE J476 or ANSI B1.20)

Part Number	Dim A	Dim B	Dim C	Dim D	Rating PSI	Housing Style	Seal Material	Repair Kit	Main Seals Package (5)
MET-241161	1-1/2" NPT	2.37"	3.27"	1" NPT	1000	Swivel	Urethane*	METR-24	METB24
MET-321161	2" NPT	3.00"	2.53"	1" NPT	750			METR-32	METB32
MET-401161	2-1/2" NPT	3.40"	2.54"	1" NPT	500			METR-40	METB40
MET-481161	3" NPT	4.25"	2.61"	1" NPT				METR-48	METB48

*Optional seal materials are FKM (Viton), EPDM and Buna N - Example: MET-041042E = EPDM

TwistMate® - Threaded Connectors

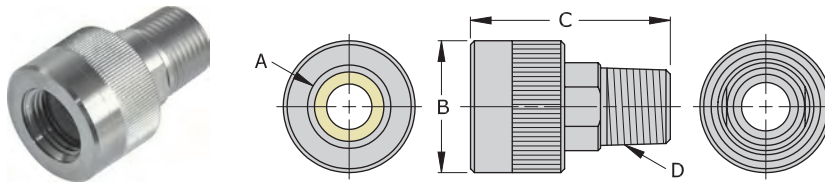
Connectors for External (Male) NPT Threads



NPT Threads for High Pressure (per SAE J476 or ANSI B1.20)

Part Number	Dim A	Dim B	Dim C	Dim D	Rating PSI	Housing Style	Seal Material	Repair Kit	Main Seals Package (5)
METH-021022	1/8" NPT	0.82"	1.51"	1/8" NPT	10,000	Swivel	Urethane*	METR-02	S1105-U70
METH-041042	1/4" NPT	0.94"	1.74"	1/4" NPT	8000			METR-04	S1108-U70
METH-061062	3/8" NPT	1.18"	1.78"	3/8" NPT	6000			METR-06	S1110-U70
METH-081082	1/2" NPT	1.60"	2.05"	1/2" NPT	5500			METR-08	S1112-U70
METH-121122	3/4" NPT	1.68"	2.34"	3/4" NPT	5000			METR-12	S1115-U70
METH-161162	1" NPT	2.00"	2.74"	1" NPT				METR-16	S1212-U70

*Optional seal materials is EPDM - Example: METH-041042E = EPDM



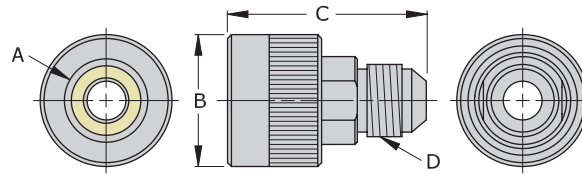
NPT Threads on Thin Walled Threaded Pipe (per SAE J476 or ANSI B1.20)

Part Number	Dim A	Dim B	Dim C	Dim D	Rating PSI	Housing Style	Seal Material	Repair Kit	Main Seals Package (5)
MET-041042-PT	1/4" NPT	0.94"	1.74"	1/4" NPT	750	Swivel	Buna N	METR-04	METB-04PT
MET-061062-PT	3/8" NPT	1.18"	1.78"	3/8" NPT				METR-06	METB-06PT
MET-081082-PT	1/2" NPT	1.60"	2.05"	1/2" NPT				METR-08	METB-08PT
MET-121122-PT	3/4" NPT	1.68"	2.34"	3/4" NPT				METR-12	METB-12PT
MET-161162-PT	1" NPT	2.00"	2.74"	1" NPT				METR-16	METB-16PT
MET-201202-PT	1-1/4" NPT	2.37"	3.27"	1-1/4" NPT				METR-20	METB-20PT
MET-241161*	1-1/2" NPT	2.37"	3.27"	1" NPT	500	Swivel	Urethane	METR-24	METB24
MET-321161	2" NPT	3.00"	2.53"	1" NPT				METR-32	METB32
MET-401161	2-1/2" NPT	3.40"	2.54"	1" NPT				METR-40	METB40
MET-481161	3" NPT	4.25"	2.61"	1" NPT				METR-48	METB48

*Connector pressure rating reduced to 750 psi for thin wall threaded pipe applications.

TwistMate® - Threaded Connectors

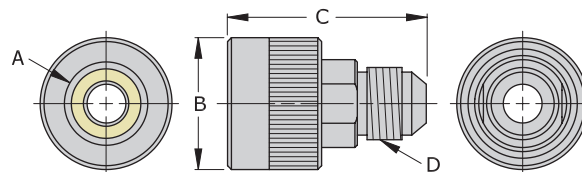
Connectors for External (Male) SAE Flare Threads



SAE - 37° Flare, "AN" Standard, Swivel Style for High Pressure (per SAE J514 or ISO 12151-5)

Part Number	Dim A	Dim B	Dim C	Dim D	Rating PSI	Housing Style	Seal Material	Repair Kit	Main Seals Package (5)
METH-049040	-4 (7/16-20)	0.95"	1.76"	-4 (7/16-20)	10,000	Swivel	Buna N*	METR-049	S2070-0270B70
METH-069060	-6 (9/16-18)	1.20"	1.83"	-6 (9/16-18)				METR-06	S1012-B70
METH-089080	-8 (3/4-16)	1.38"	2.00"	-8 (3/4-16)				METR-08	S1015-B70
METH-109100	-10 (7/8-14)	1.51"	2.35"	-10 (7/8-14)				METR-08	S1016-B70
METH-129120	-12 (1 1/16-12)	1.70"	2.52"	-12 (1 1/16-12)				METR-12	S1018-B70

*Optional seal materials is EPDM - Example: METH-069060E = EPDM



For SAE 45° Flare (per SAE J512 or J513)

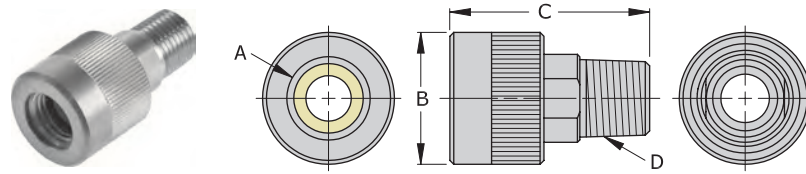
Part Number	Dim A	Dim B	Dim C	Dim D	Rating PSI	Housing Style	Seal Material	Repair Kit	Main Seals Package (5)
MET-04A042B	-4 (7/16-20)	0.95"	1.76"	1/4" NPT	5000	Swivel	Buna N**	METR-049	S2060-0246B70
MET-06A062N	-6 (5/8-18)	1.20"	1.83"	3/8" NPT			METR-06	S1012-N70	
MET-08A082N	-8 (3/4-16)	1.38"	2.00"	1/2" NPT	4000		Neoprene*	METR-08	S1014-N70
MET-10A082N	-10 (7/8-14)	1.51"	2.35"	1/2" NPT				METR-08	S1015-N70
MET-12A122N	-12 (1 1/16-14)	1.70"	2.52"	3/4" NPT				METR-12	S1117-N70

*Optional seal materials are FKM (Viton), EPDM and Buna N - Example: MET-08A082NE = EPDM

**Optional seal materials are FKM (Viton) and EPDM - Example: MET-04A042BY = FKM (Viton)

TwistMate® - Threaded Connectors

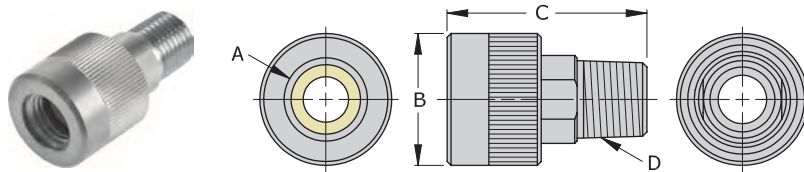
Connectors for External (Male) BSP and BSPT Threads



BSPP - Swivel Style (per ISO 228 or BS 2779)

Part Number	Dim A	Dim B	Dim C	Dim D	Rating PSI	Housing Style	Seal Material	Repair Kit	Main Seals Package (5)
MET-025022	1/8" BSPP	0.80"	1.62"	1/8" NPT	5000	Swivel	Urethane*	METR-02	S1105-U70
MET-045042	1/4" BSPP	0.93"	1.63"	1/4" NPT				METR-04	S1108-U70
MET-065062	3/8" BSPP	1.20"	1.31"	3/8" NPT	4000			METR-06	S1110-U70
MET-085082	1/2" BSPP	1.36"	1.46"	1/2" NPT				METR-08	S1112-U70

*Optional seal materials are FKM (Viton), EPDM and Buna N - Example: MET-045042**B** = Buna N



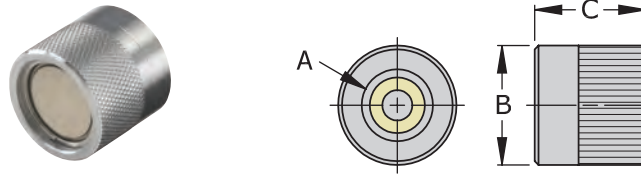
BSPT - Swivel Style (per ISO 7 or BS 21)

Part Number	Dim A	Dim B	Dim C	Dim D	Rating PSI	Housing Style	Seal Material	Repair Kit	Main Seals Package (5)
MET-025T022	1/8" BSPT	0.80"	1.62"	1/8" NPT	5000	Swivel	Urethane*	METR-02	S1105-U70
MET-045T042	1/4" BSPT	0.93"	1.63"	1/4" NPT				METR-04	S1108-U70
MET-065T062	3/8" BSPT	1.20"	1.31"	3/8" NPT	4000			METR-06	S1110-U70
MET-085T082	1/2" BSPT	1.36"	1.46"	1/2" NPT				METR-08	S1112-U70

*Optional seal materials are FKM (Viton), EPDM and Buna N - Example: MET-045T042**E** = EPDM

TwistMate® - Threaded Connectors

Caps for External (Male) NPT, BSPP and BSPT Threads



Cap Style for NPT Threads (per SAE J476 or ANSI B1.20)

Part Number	Dim A	Dim B	Dim C	Rating PSI	Housing Style	Seal Material	Repair Kit	Main Seals Package (5)
MET-021C	1/8" NPT	0.80"	0.83"	5000	Cap	Urethane*	METR-02	S1105-U70
MET-041C	1/4" NPT	0.93"	0.88"				METR-04	S1108-U70
MET-061C	3/8" NPT	1.20"	0.90"	4000			METR-06	S1110-U70
MET-081C	1/2" NPT	1.36"	0.97"				METR-08	S1112-U70

*Optional seal materials are FKM (Viton), EPDM and Buna N - Example: MET-041CV = FKM (Viton)

Cap Style for BSPP Threads (per ISO 228 or BS 2779)

Part Number	Dim A	Dim B	Dim C	Rating PSI	Housing Style	Seal Material	Repair Kit	Main Seals Package (5)
MET-025C	1/8" BSPP	0.80"	0.83"	5000	Cap	Urethane*	METR-02	S1105-U70
MET-045C	1/4" BSPP	0.93"	0.88"				METR-04	S1108-U70
MET-065C	3/8" BSPP	1.20"	0.90"	4000			METR-06	S1110-U70
MET-085C	1/2" BSPP	1.36"	0.97"				METR-08	S1112-U70

*Optional seal materials are FKM (Viton), EPDM and Buna N - Example: MET-045CE = EPDM

Cap Style for BSPT Threads (per ISO 7 or BS 21)

Part Number	Dim A	Dim B	Dim C	Rating PSI	Housing Style	Seal Material	Repair Kit	Main Seals Package (5)
MET-025TC	1/8" BSPT	0.80"	0.83"	5000	Cap	Urethane*	METR-02	S1105-U70
MET-045TC	1/4" BSPT	0.93"	0.88"				METR-04	S1108-U70
MET-065TC	3/8" BSPT	1.20"	0.90"	4000			METR-06	S1110-U70
MET-085TC	1/2" BSPT	1.36"	0.97"				METR-08	S1112-U70

*Optional seal materials are FKM (Viton), EPDM and Buna N - Example: MET-045TCB = Buna N

TwistMate Internal Repair Kits

Swivel style repair kits contains 2 internal Buna N O-rings, 2 backup rings and 1 snap ring.

Non-Swivel style repair kits contain 1 internal Buna N O-ring and 1 backup ring.

Repair kits do not include main seal replacement.

For additional kits consult factory.

Need assistance finding a TwistMate connector for your application?

- Visit www.fastestinc.com and select “Connection Type” under “Products”
- Select a basic feature of your application such as “External Threads”
- Select **TwistMate** under Product Family or applications features such as “Connects to” to shorten your results list

Your Selections: **Connection Type: External Threads** | **Product Family: TwistMate**

Application: Calibration (49), Manufacturing (53)

Connection Type: **External Threads (69)**

Connects To: -10 (7/8-14) (2), -12 (1 1/16-12) (1), -12 (1 1/16-14) (1), -4 (7/16-20) (3), -6 (5/8-18) (1), -6 (9/16-18) (2), -8 (3/4-16) (3)

MET-021021
Twist to connect for instant connection to 1/8" NPT male threads, swivel style, Urethane seals

Product Family	Connection Type	Connection Method
TwistMate	External Threads	Twist to Connect
Connects To	Pressure Rating	Termination
1/8" NPT	5000	1/8" NPT (Female)

On-line Price: Request a Quote | [LEARN MORE](#) | [ADD TO QUOTE](#)

Need operating or seal replacement instructions to extend connector service life?

- Find your connector above or use the part number search field in the website header, click “Learn More” button
- Select the “Instructions” tab to display links to current instruction documents

MET-021021
Twist to connect for instant connection to 1/8" NPT male threads, swivel style, Urethane seals

Product Family	Connection Type	Connection Method
TwistMate	External Threads	Twist to Connect
Connects To	Pressure Rating	Termination
1/8" NPT	5000	1/8" NPT (Female)

[FIND A DEALER](#) | [ADD TO QUOTE](#)

Overview | Specifications | **Instructions** | CAD Models | Related Products

Click on the document below to view or download the appropriate operating and maintenance instructions for the **TwistMate** Series connectors from **FasTest** for external threads. Proper use of the connectors will ensure safe operation and maximum connector life.

- [TwistMate Series - Operating Instructions \(MET\)](#)
- [TwistMate Series - Seal Replacement Instructions \(MET\)](#)

FasMate®

- ✓ Instant Connection to Internal Threaded Ports
- ✓ Seals to 5000 psi for Pneumatic / Hydraulic Testing
- ✓ Safe, Reliable, Leak Tight Connections
- ✓ Eliminate Thread or Product Damage, Sealants and Wrench Tightening
- ✓ Durable Stainless Steel Construction. Available in Multiple Thread Profiles

	Contents	Page(s)
	Tech Info	E1-E5
Internal Threads	Lever	E6
	Thumb	E8
	Pneumatic	E10



FasMate - Instant Threaded Connections

FasTest's patented squeeze lever actuation and split collet design of the **FasMate FN Series** connectors provide an instant connection that can significantly decrease the time needed for pressure and vacuum testing, filling, flushing and performance testing.

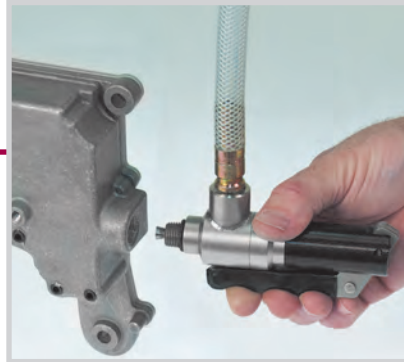
The squeeze lever / split collet operation uses no thread sealant, no wrench tightening and will not damage the port threads. Its rugged design is ideal for production use and **FN Series** offers the following actuations methods: squeeze lever, pneumatic pilot or pneumatic thumb valve.

Instant Threaded Connections. As Easy as 1 - 2 - 3

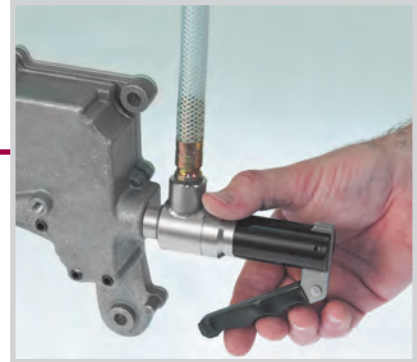
The **FasMate FN Series** instantly seals threaded ports from vacuum to 5000 psi. The patented proprietary design makes sealing threaded ports as easy as 1, 2, 3.



1 Squeeze lever to collapse the threaded collets



2 Insert into the threaded port



3 Releasing the lever expands the collets for a safe secure leak free connection

Safe

The pressure assisted grip and proprietary design of the **FN Series** locks the connector securely to the port, even when used in dynamic hydraulic applications.

Ergonomic

With three styles of actuation, operator stress from repetitive motion is eliminated or significantly reduced.

Easy to Maintain

The practical design allows easy servicing of the external and internal seals, significantly reducing the cost of ownership and down time.

Made in the USA

Designed and manufactured by **FasTest** from the highest quality materials, **FasTest** provides a full product offering for all standard thread configurations.

Engineering & Technical Support

FasTest has full engineering and manufacturing capability to provide special accommodations to meet specific applications. Our Sales Engineers are available to review your requirements.

FasMate's have three styles of actuation for your leak, pressure test or filling application



Pneumatic Thumb Valve "V"

Easy, ergonomic thumb button.
When depressed, allows insertion / removal of connector from port.



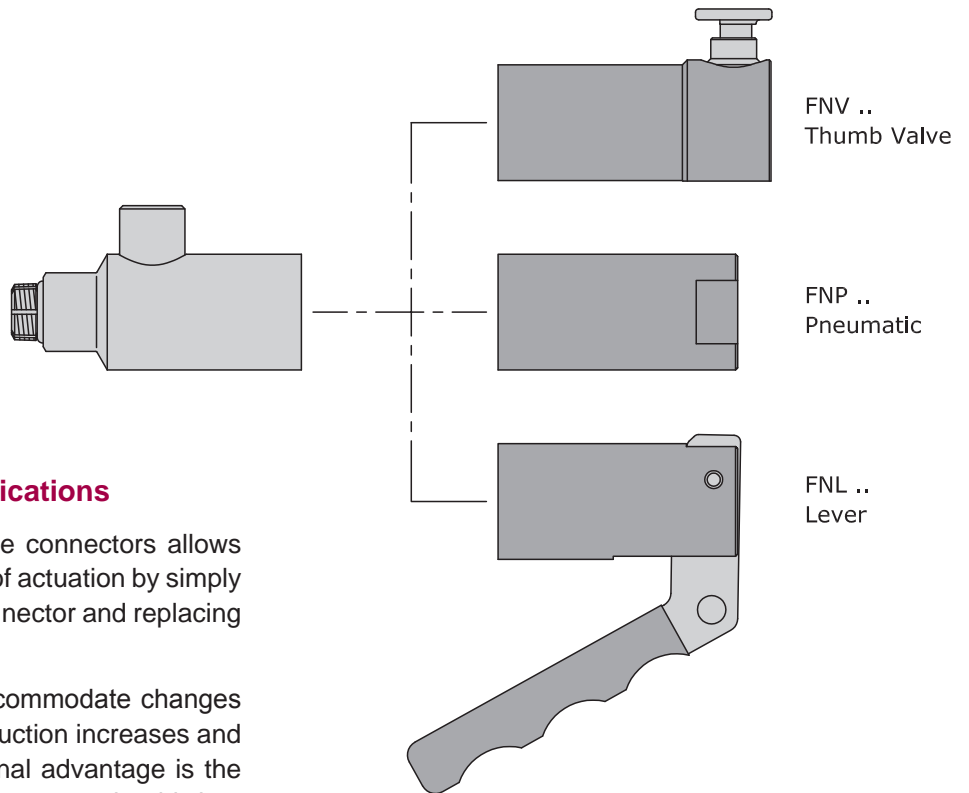
Pneumatic Pilot

Requires a separate air valve.
Desired for applications that require freedom of movement of technician's hands.



Squeeze Lever "L"

Simple, straight forward mechanical operation.



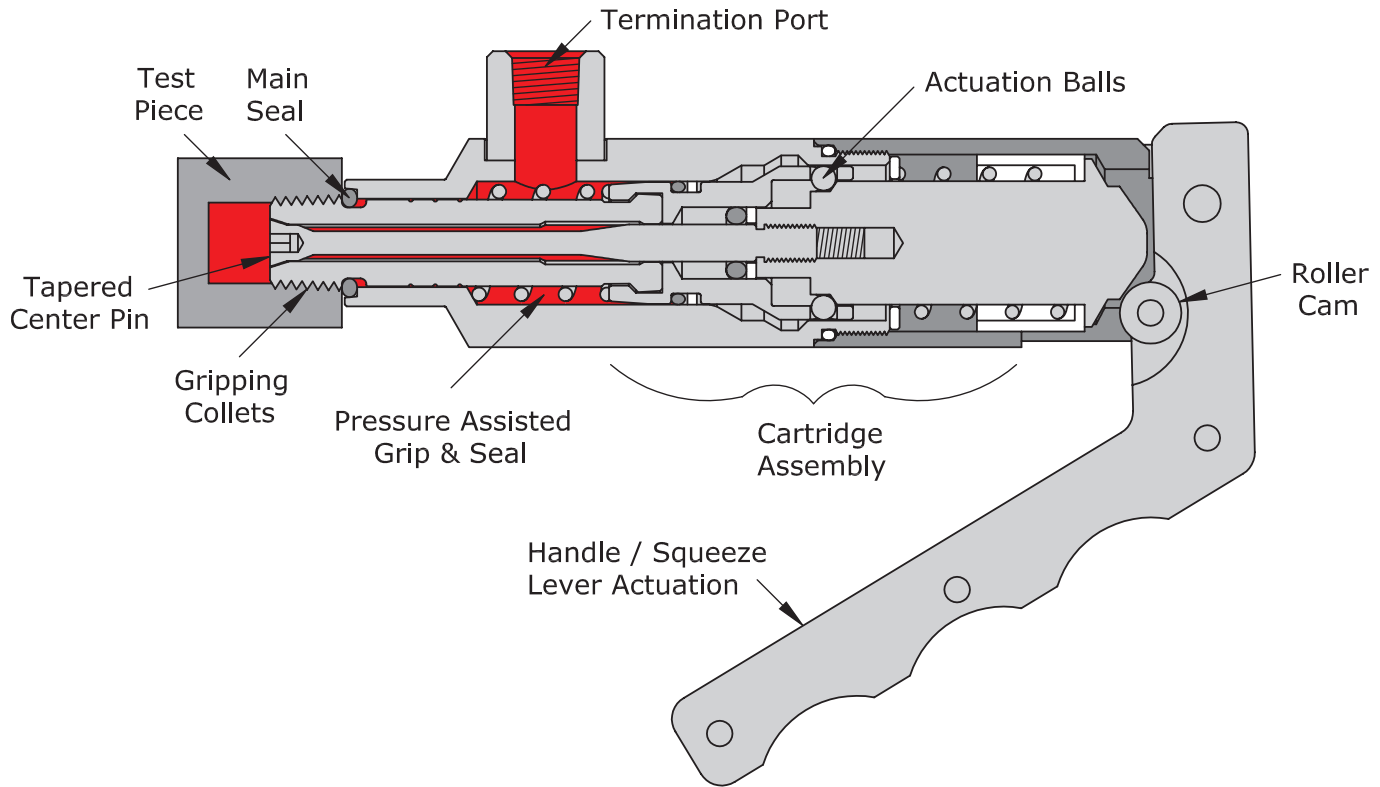
Modular Design for Multiple Applications

The innovative modular design of the connectors allows the technician to change the method of actuation by simply unscrewing the rear portion of the connector and replacing it with the desired form of actuation.

This feature provides flexibility to accommodate changes in the manufacturing processes, production increases and operator use preference. An additional advantage is the ease of field service for these components should they become damaged or require maintenance.

FasMate

FasMate Technology



A Look Inside at the Technology

The Lever actuator uses a rugged roller cam mechanism, that when squeezed, moves the Cartridge Assembly forward. As the Cartridge Assembly moves, so does the Gripping Collets and Tapered Center Pin. The Gripping Collets and Tapered Center Pin move independently due to an innovative Actuation Ball method unique to **FasTest**. This innovative actuation ball technology significantly reduces the effort needed to squeeze the lever. When the lever is released, the gripping collets expand into the port.

As media pressure increases, the sealing and connection force increases. This Pressure Assisted Grip & Seal feature ensures a leak free connection.

Grip & Seal Technology

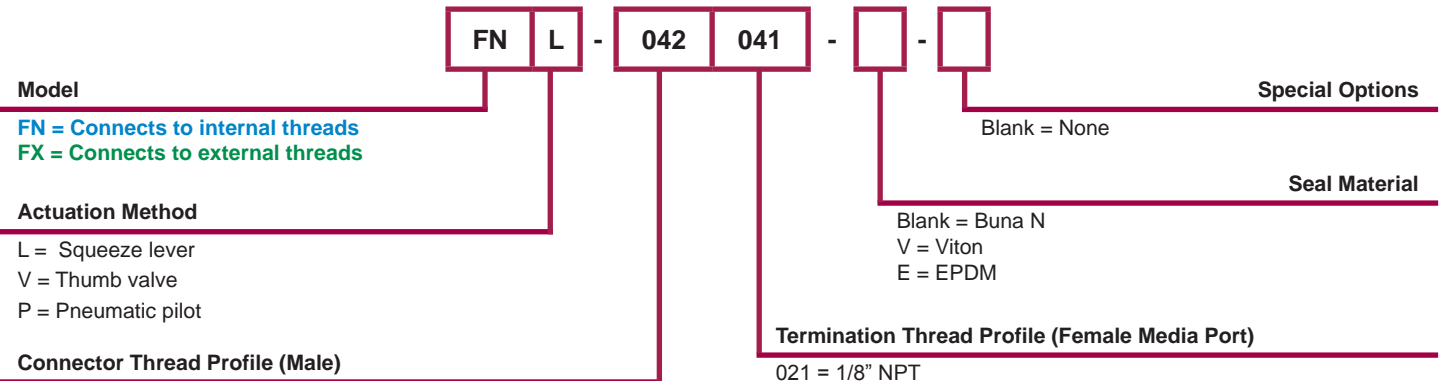
The **FasMate** FN family of products use an innovative collapsing collet with tapered center pin that together locks the connector to the port. As pressure increases, it becomes difficult or impossible to accidentally or inadvertently disconnect from the port*. The expanding collets and pressure assisted sealing concept makes a leak free connection with no thread sealants, no wrench tightening and no product damage.

* For more information about the Pressure Assisted Grip & Seal feature, and how it may apply to your specific application, please contact FasTest, Inc.

Proven Design

FasTest has years of designing and manufacturing innovative connection technology. The **FN Series** has been extensively field tested for durability, safety, ease of use and operator comfort. Service parts are readily available for fast maintenance or repairs in the field. Regular maintenance of seals and parts will result in the **FN Series** providing years of reliable service.

FasMate Part Number Key



- 022 = 1/8" NPT
- 042 = 1/4" NPT
- 062 = 3/8" NPT
- 082 = 1/2" NPT
- 026 = 1/8" BSPP
- 046 = 1/4" BSPP
- 066 = 3/8" BSPP
- 086 = 1/2" BSPP
- 044 = - 4 SAE
- 054 = - 5 SAE
- 064 = - 6 SAE
- 084 = - 8 SAE
- 108 = M10 x 1.0
- 128 = M12 x 1.5
- 148 = M14 x 1.5
- 168 = M18 x 1.5
- 228 = M22 x 1.5

- 021 = 1/8" NPT
- 041 = 1/4" NPT
- 061 = 3/8" NPT
- 081 = 1/2" NPT

- - Connects to internal threads
- - Connects to external threads



For additional sizes and models for external threads (FX), consult factory.

Notes:
 Part Number Keys are to assist in IDENTIFICATION ONLY.
 Verify new part numbers with factory; some configurations are not possible.

Connectors for Internal (Female) Threads



- Instant connections from vacuum to 5000 psi eliminate tape, sealants and wrenches
- Compatible to NPT, SAE O-Ring, BSPP and ISO O-Ring threads
- No damage to threaded parts
- Durable stainless steel construction



For additional sizes and models for external threads (FXL), consult factory.

Lever Actuated - NPT Threads

Part Number	Connects to	Rated PSI	Term Thread	Term Diameter	Body Size	Housing Material	Seal Material	Repair Kit	Main Seals Package (5)
FNL-022021	1/8" NPT	Vacuum to 5000	1/8" NPT	0.60"	BS1	Aluminum & Stainless Steel	Buna N	RFN022021	S1108-B70
FNL-042041	1/4" NPT		1/4" NPT	0.75"	BS2			RFN042041	S21250327-B60
FNL-062061	3/8" NPT		3/8" NPT	0.90"	BS3			RFN062061	S1112-B70
FNL-082081	1/2" NPT		1/2" NPT	1.10"	BS4			RFN082081	S1208-B70

Lever Actuated - SAE O-Ring Threads

Part Number	Connects to	Rated PSI	Term Thread	Term Diameter	Body Size	Housing Material	Seal Material	Repair Kit	Main Seals Package (5)
FNL-044021	-4 (7/16-20)	Vacuum to 5000	1/8" NPT	0.60"	BS1	Aluminum & Stainless Steel	Buna N	RFN044021	S1109-B70
FNL-054041	-5 (1/2-20)		1/4" NPT	0.75"	BS2			RFN054041	S21250327-B60
FNL-064041	-6 (9/16-18)		1/4" NPT	0.75"	BS3			RFN064041	S1111-B70
FNL-084061	-8 (3/4-16)		3/8" NPT	0.90"	BS4			RFN084061	S1207-B70

Lever Actuated - BSPP Threads

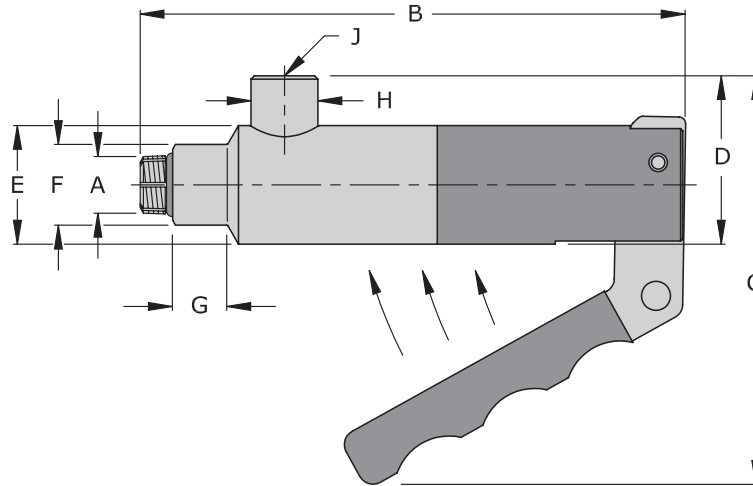
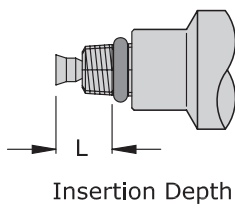
Part Number	Connects to	Rated PSI	Term Thread	Term Diameter	Body Size	Housing Material	Seal Material	Repair Kit	Main Seals Package (5)
FNL-026021	1/8" BSPP	Vacuum to 5000	1/8" NPT	0.60"	BS1	Aluminum & Stainless Steel	Buna N	RFN026021	S1108-B70
FNL-046041	1/4" BSPP		1/4" NPT	0.75"	BS2			RFN046041	S21250327-B60
FNL-066061	3/8" BSPP		3/8" NPT	0.90"	BS3			RFN066061	S1112-B70
FNL-086081	1/2" BSPP		1/2" NPT	1.10"	BS4			RFN086081	S1208-B70

Lever Actuated - ISO O-Ring Metric Threads

Part Number	Connects to	Rated PSI	Term Thread	Term Diameter	Body Size	Housing Material	Seal Material	Repair Kit	Main Seals Package (5)
FNL-108021	M10x1.0	Vacuum to 5000	1/8" NPT	0.60"	BS1	Aluminum & Stainless Steel	Buna N	RFN108021	S1108-B70
FNL-128041	M12x1.5		1/4" NPT	0.75"	BS2			RFN128041	S21250327-B60
FNL-148041	M14x1.5		1/4" NPT	0.75"	BS2			RFN148041	S21250327-B60
FNL-168061	M16x1.5		3/8" NPT	0.90"	BS3			RFN168061	S1112-B70
FNL-188061	M18x1.5		3/8" NPT	0.90"	BS4			RFN188061	S1206-B70
FNL-228081	M22x1.5		1/2" NPT	1.10"	BS4			RFN228081	S1209-B70

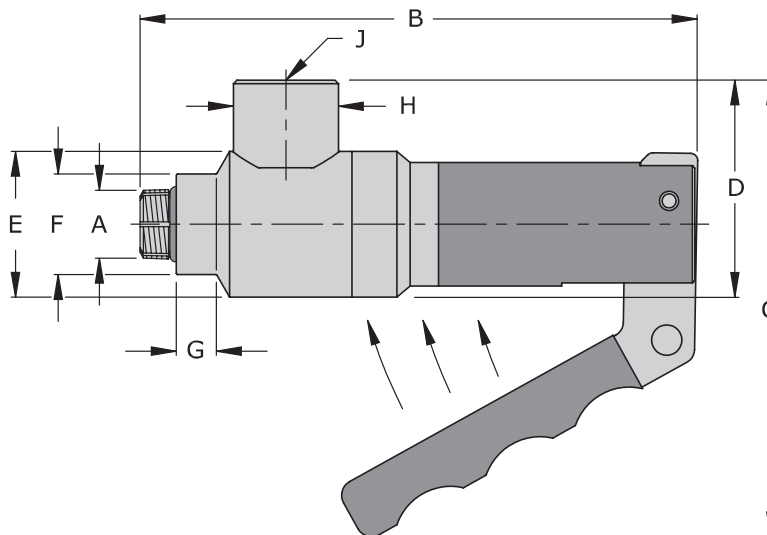
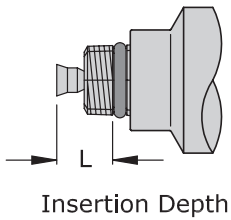
FasMate® - Lever, Thumb Valve and Automated Connectors

BS1 and BS2



Dim	BS1	BS2
A	See Connects to	
B	4.80"	5.00"
C	3.70"	4.00"
D	1.50"	1.70"
E	1.06"	1.06"
F	0.65"	0.72"
G	0.50"	0.50"
H	0.60"	0.75"
J	1/8" NPT	1/4" NPT
L	0.55"	0.67"

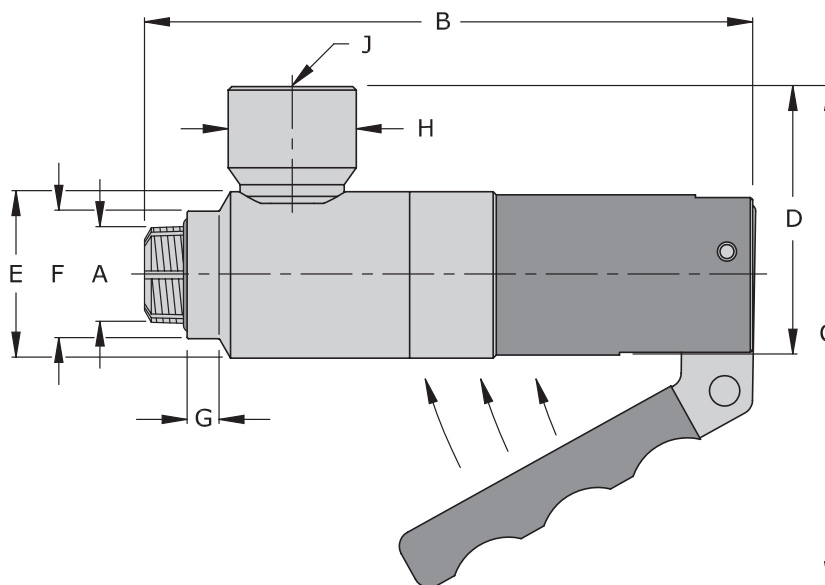
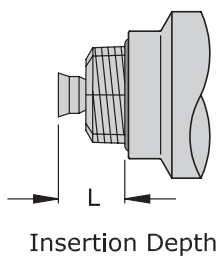
BS3



Dim	BS3
A	See Connects to
B	5.00"
C	3.90"
D	1.86"
E	1.25"
F	0.86"
G	0.35"
H	See Term Diameter
J	See Term Thread
L	0.67"

FasMate

BS4



Dim	BS4
A	See Connects to
B	5.27"
C	4.40"
D	2.33"
E	1.43"
F	1.09"
G	0.27"
H	See Term Diameter
J	See Term Thread
L	0.76"

Connectors for Internal (Female) Threads



- Instant connections from vacuum to 5000 psi eliminate tape, sealants and wrenches
- Compatible to NPT, SAE O-Ring, BSPP and ISO O-Ring threads
- No damage to threaded parts
- Durable stainless steel construction



For additional sizes and models for external threads (FXV), consult factory.

Thumb Valve Actuated - NPT Threads

Part Number	Connects to	Rated PSI	Term Thread	Term Diameter	Body Size	Housing Material	Seal Material	Repair Kit	Main Seals Package (5)
FNV-022021	1/8" NPT	Vacuum to 5000	1/8" NPT	0.60"	BS1	Aluminum & Stainless Steel	Buna N	RFN022021	S1108-B70
FNV-042041	1/4" NPT		1/4" NPT	0.75"	BS2			RFN042041	S21250327-B60
FNV-062061	3/8" NPT		3/8" NPT	0.90"	BS3			RFN062061	S1112-B70
FNV-082081	1/2" NPT		1/2" NPT	1.10"	BS4			RFN082081	S1208-B70

Thumb Valve Actuated - SAE O-Ring Threads

Part Number	Connects to	Rated PSI	Term Thread	Term Diameter	Body Size	Housing Material	Seal Material	Repair Kit	Main Seals Package (5)
FNV-044021	-4 (7/16-20)	Vacuum to 5000	1/8" NPT	0.60"	BS1	Aluminum & Stainless Steel	Buna N	RFN044021	S1109-B70
FNV-054041	-5 (1/2-20)		1/4" NPT	0.75"	BS2			RFN054041	S21250327-B60
FNV-064041	-6 (9/16-18)		1/4" NPT	0.75"	BS3			RFN064041	S1111-B70
FNV-084061	-8 (3/4-16)		3/8" NPT	0.90"	BS4			RFN084061	S1207-B70

Thumb Valve Actuated - BSPP Threads

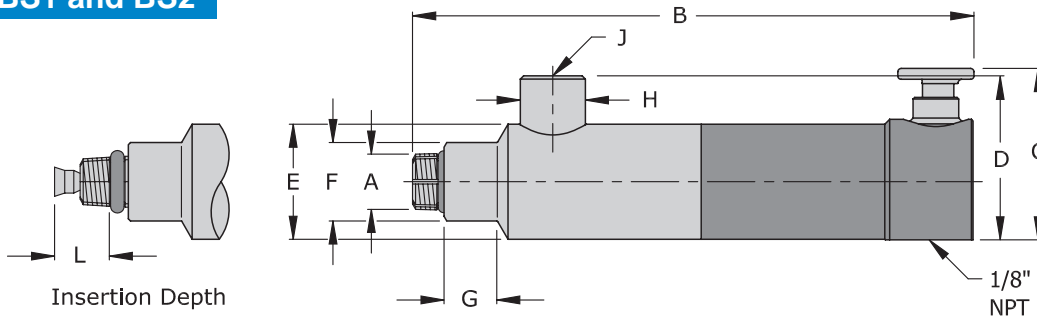
Part Number	Connects to	Rated PSI	Term Thread	Term Diameter	Body Size	Housing Material	Seal Material	Repair Kit	Main Seals Package (5)
FNV-026021	1/8" BSPP	Vacuum to 5000	1/8" NPT	0.60"	BS1	Aluminum & Stainless Steel	Buna N	RFN026021	S1108-B70
FNV-046041	1/4" BSPP		1/4" NPT	0.75"	BS2			RFN046041	S21250327-B60
FNV-066061	3/8" BSPP		3/8" NPT	0.90"	BS3			RFN066061	S1112-B70
FNV-086081	1/2" BSPP		1/2" NPT	1.10"	BS4			RFN086081	S1208-B70

Thumb Valve Actuated - ISO O-Ring Metric Threads

Part Number	Connects to	Rated PSI	Term Thread	Term Diameter	Body Size	Housing Material	Seal Material	Repair Kit	Main Seals Package (5)
FNV-108021	M10x1.0	Vacuum to 5000	1/8" NPT	0.60"	BS1	Aluminum & Stainless Steel	Buna N	RFN108021	S1108-B70
FNV-128041	M12x1.5		1/4" NPT	0.75"	BS2			RFN128041	S21250327-B60
FNV-148041	M14x1.5		1/4" NPT	0.75"	BS2			RFN148041	S21250327-B60
FNV-168061	M16x1.5		3/8" NPT	0.90"	BS3			RFN168061	S1112-B70
FNV-188061	M18x1.5		3/8" NPT	0.90"	BS4			RFN188061	S1206-B70
FNV-228081	M22x1.5		1/2" NPT	1.10"	BS4			RFN228081	S1209-B70

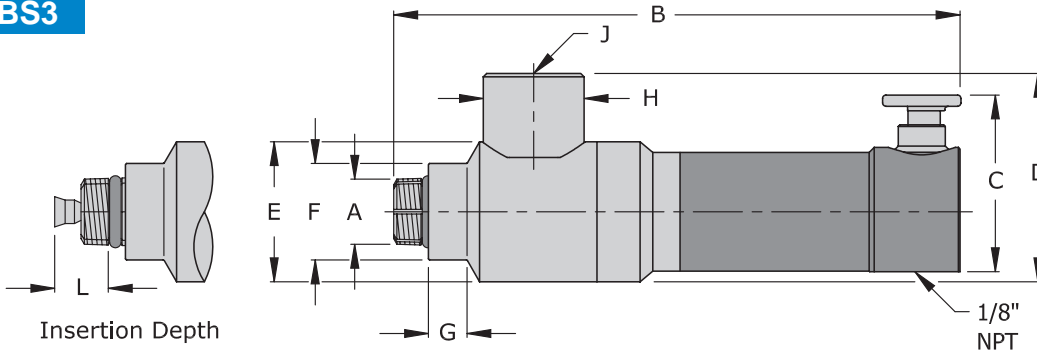
FasMate® - Lever, Thumb Valve and Automated Connectors

BS1 and BS2



Dim	BS1	BS2
A	See Connects to	
B	5.13"	5.21"
C	1.58"	1.58"
D	1.50"	1.70"
E	1.06"	1.06"
F	0.65"	0.72"
G	0.50"	0.50"
H	0.60"	0.75"
J	1/8" NPT	1/4" NPT
L	0.55"	0.67"

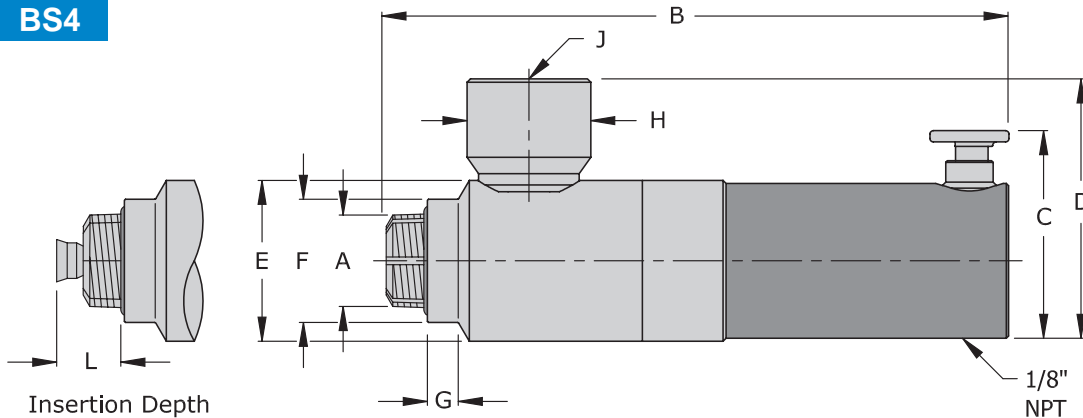
BS3



Dim	BS3
A	See Connects to
B	5.05"
C	1.58"
D	1.86"
E	1.25"
F	0.86"
G	0.35"
H	See Term Diameter
J	See Term Thread
L	0.67"

FasMate

BS4



Dim	BS4
A	See Connects to
B	5.27"
C	1.85"
D	2.33"
E	1.43"
F	1.09"
G	0.27"
H	See Term Diameter
J	See Term Thread
L	0.76"

Connectors for Internal (Female) Threads



- Instant connections from vacuum to 5000 psi eliminate tape, sealants and wrenches
- Compatible to NPT, SAE O-Ring, BSPP and ISO O-Ring threads
- No damage to threaded parts
- Durable stainless steel construction



For additional sizes and models for external threads (FXP), consult factory.

Pneumatic Actuated - NPT Threads

Part Number	Connects to	Rated PSI	Term Thread	Term Diameter	Body Size	Housing Material	Seal Material	Repair Kit	Main Seals Package (5)
FNP-022021	1/8" NPT	Vacuum to 5000	1/8" NPT	0.60"	BS1	Aluminum & Stainless Steel	Buna N	RFN022021	S1108-B70
FNP-042041	1/4" NPT		1/4" NPT	0.75"	BS2			RFN042041	S21250327-B60
FNP-062061	3/8" NPT		3/8" NPT	0.90"	BS3			RFN062061	S1112-B70
FNP-082081	1/2" NPT		1/2" NPT	1.10"	BS4			RFN082081	S1208-B70

Pneumatic Actuated - SAE O-Ring Threads

Part Number	Connects to	Rated PSI	Term Thread	Term Diameter	Body Size	Housing Material	Seal Material	Repair Kit	Main Seals Package (5)
FNP-044021	-4 (7/16-20)	Vacuum to 5000	1/8" NPT	0.60"	BS1	Aluminum & Stainless Steel	Buna N	RFN044021	S1109-B70
FNP-054041	-5 (1/2-20)		1/4" NPT	0.75"	BS2			RFN054041	S21250327-B60
FNP-064041	-6 (9/16-18)		1/4" NPT	0.75"	BS3			RFN064041	S1111-B70
FNP-084061	-8 (3/4-16)		3/8" NPT	0.90"	BS4			RFN084061	S1207-B70

Pneumatic Actuated - BSPP Threads

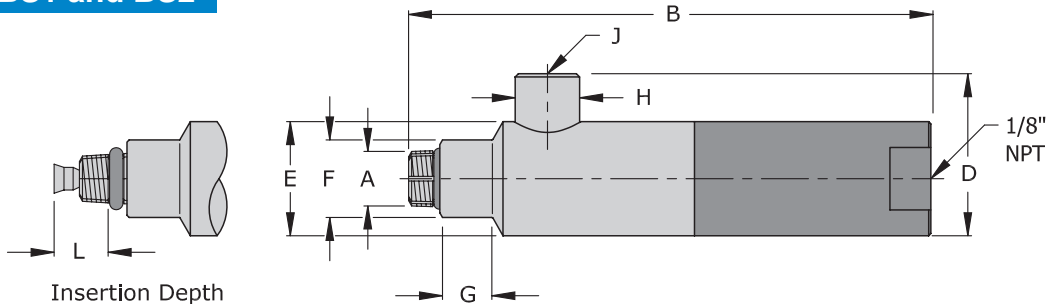
Part Number	Connects to	Rated PSI	Term Thread	Term Diameter	Body Size	Housing Material	Seal Material	Repair Kit	Main Seals Package (5)
FNP-026021	1/8" BSPP	Vacuum to 5000	1/8" NPT	0.60"	BS1	Aluminum & Stainless Steel	Buna N	RFN026021	S1108-B70
FNP-046041	1/4" BSPP		1/4" NPT	0.75"	BS2			RFN046041	S21250327-B60
FNP-066061	3/8" BSPP		3/8" NPT	0.90"	BS3			RFN066061	S1112-B70
FNP-086081	1/2" BSPP		1/2" NPT	1.10"	BS4			RFN086081	S1208-B70

Pneumatic Actuated - ISO O-Ring Metric Threads

Part Number	Connects to	Rated PSI	Term Thread	Term Diameter	Body Size	Housing Material	Seal Material	Repair Kit	Main Seals Package (5)
FNP-108021	M10x1.0	Vacuum to 5000	1/8" NPT	0.60"	BS1	Aluminum & Stainless Steel	Buna N	RFN108021	S1108-B70
FNP-128041	M12x1.5		1/4" NPT	0.75"	BS2			RFN128041	S21250327-B60
FNP-148041	M14x1.5		1/4" NPT	0.75"	BS2			RFN148041	S21250327-B60
FNP-168061	M16x1.5		3/8" NPT	0.90"	BS3			RFN168061	S1112-B70
FNP-188061	M18x1.5		3/8" NPT	0.90"	BS4			RFN188061	S1206-B70
FNP-228081	M22x1.5		1/2" NPT	1.10"	BS4			RFN228081	S1209-B70

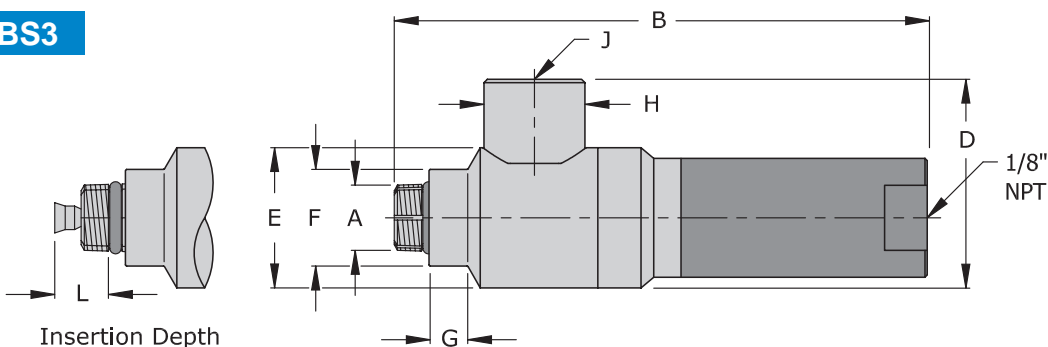
FasMate® - Lever, Thumb Valve and Automated Connectors

BS1 and BS2



Dim	BS1	BS2
A	See Connects to	
B	4.90"	5.00"
C	N/A	N/A
D	1.50"	1.70"
E	1.06"	1.06"
F	0.65"	0.72"
G	0.50"	0.50"
H	0.60"	0.75"
J	1/8" NPT	1/4" NPT
L	0.55"	0.67"

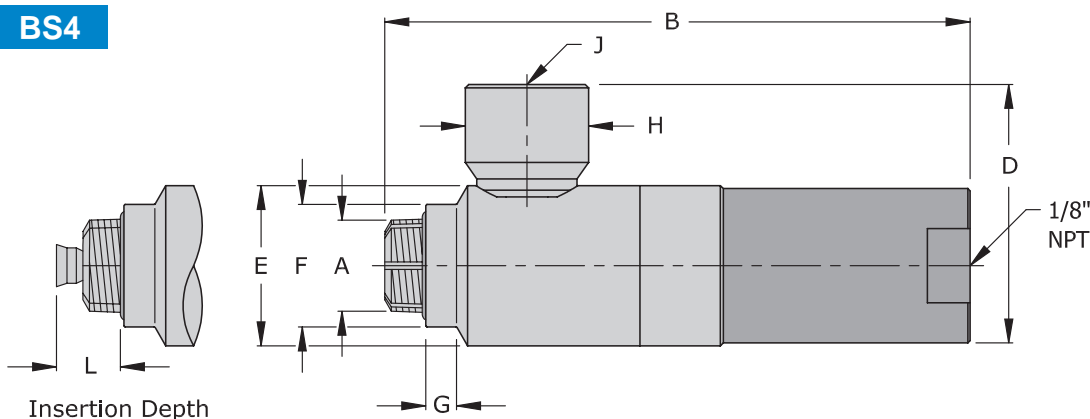
BS3



Dim	BS3
A	See Connects to
B	4.80"
C	N/A
D	1.86"
E	1.25"
F	0.86"
G	0.35"
H	See Term Diameter
J	See Term Thread
L	0.67"

FasMate

BS4



Dim	BS4
A	See Connects to
B	5.34"
C	N/A
D	2.33"
E	1.43"
F	1.09"
G	0.27"
H	See Term Diameter
J	See Term Thread
L	0.76"

“JNL” and “JXL” - Smooth Tube Connectors

Technology Overview

The **NuJaws Series** provides quick and effortless connections for tubing especially copper, steel and aluminum tubes that are used with refrigerant based products. The unique collet gripping and sealing design provides unmatched sealing reliability and resists removal under pressure.

Both connector series utilize a singular seal which can be quickly replaced at your work center to minimize down-time, maintenance and tool inventory. Neoprene seals are standard for refrigerant based applications but they are available with any elastomer required for your application.



JXL Series

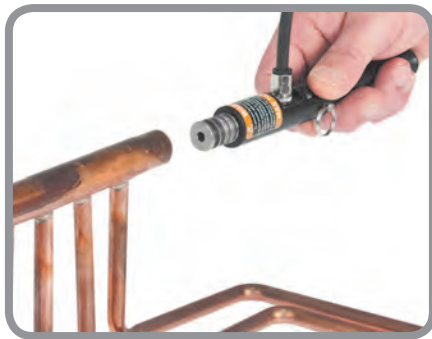


JNL0 and JNL1 Series

	Contents	Page(s)
	Tech Info	F1-F2
Internal Tubes	0.375" - 0.875"	F3
	1.000" - 1.625"	F4
External Tubes	0.250" - 0.875"	F5



JNL2 Series



“JNL” Connectors for Internal Tubes and Bores



“JXL” Connectors for External Tubes

“JNL” and “JXL” - Smooth Tube Connectors

Features and Benefits - “JNL and JXL Series”

- Pressures to 1000 psi for manual connections*
- Resists removal under pressure
- Reliable, pressure enhanced sealing
- Quick and easy seal replacement
- Vacuum to 10 millitorr (micron)
- Temperature range from -40°F to 250°F
- Body - Anodized aluminum with Delrin handle
- Gripping Collets - Stainless steel snap rings, collets and springs
- Main Seal - Neoprene (others available on request)

JNL Series



JXL Series



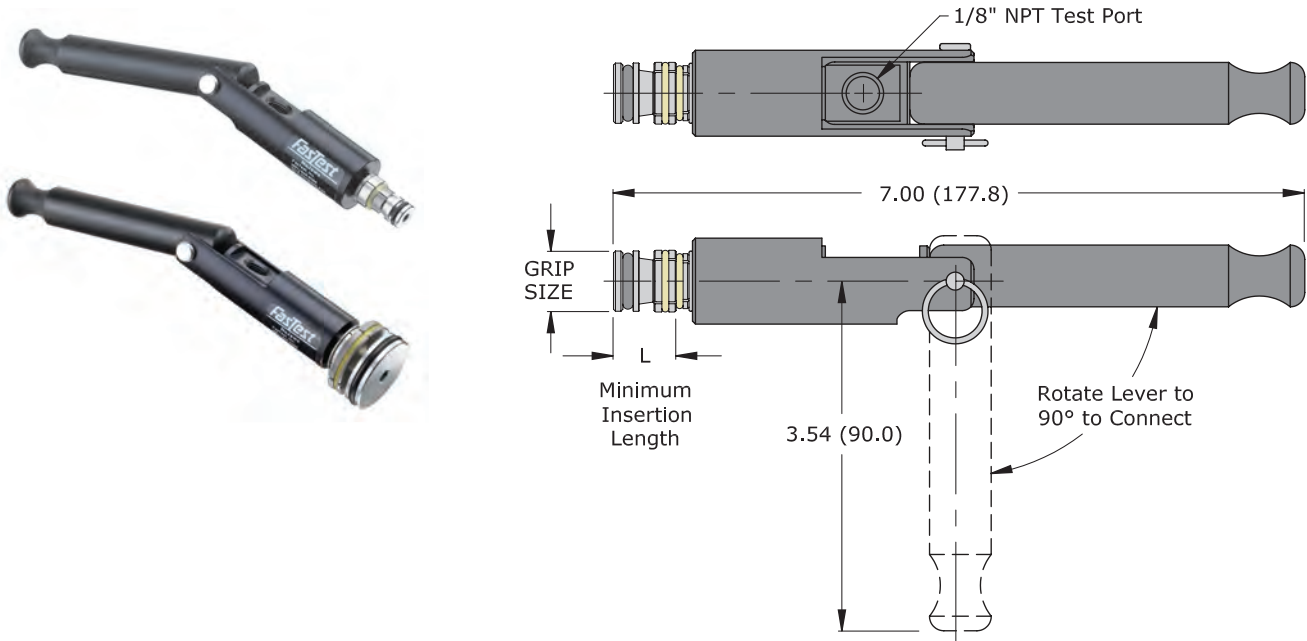
JNL - JXL

*JNL pressure rating based on test piece having a surface finish greater than 16rms and a hardness of no more than 95 Rb to grip and seal at the rated pressure. A surface finish of 8rms may be acceptable if the test piece has a hardness no greater than 40 Rb.

*JXL pressure rating based on metal test piece not exceeding 30 Rockwell C hardness. As a general guideline, surface must be 5 micro inches or greater. Surfaces less than 5 micro inches not recommended.

“JNL” and “JXL” - Smooth Tube Connectors

FasTest “JNL” Series - Connectors for Internal Tube Grip and Seal Applications



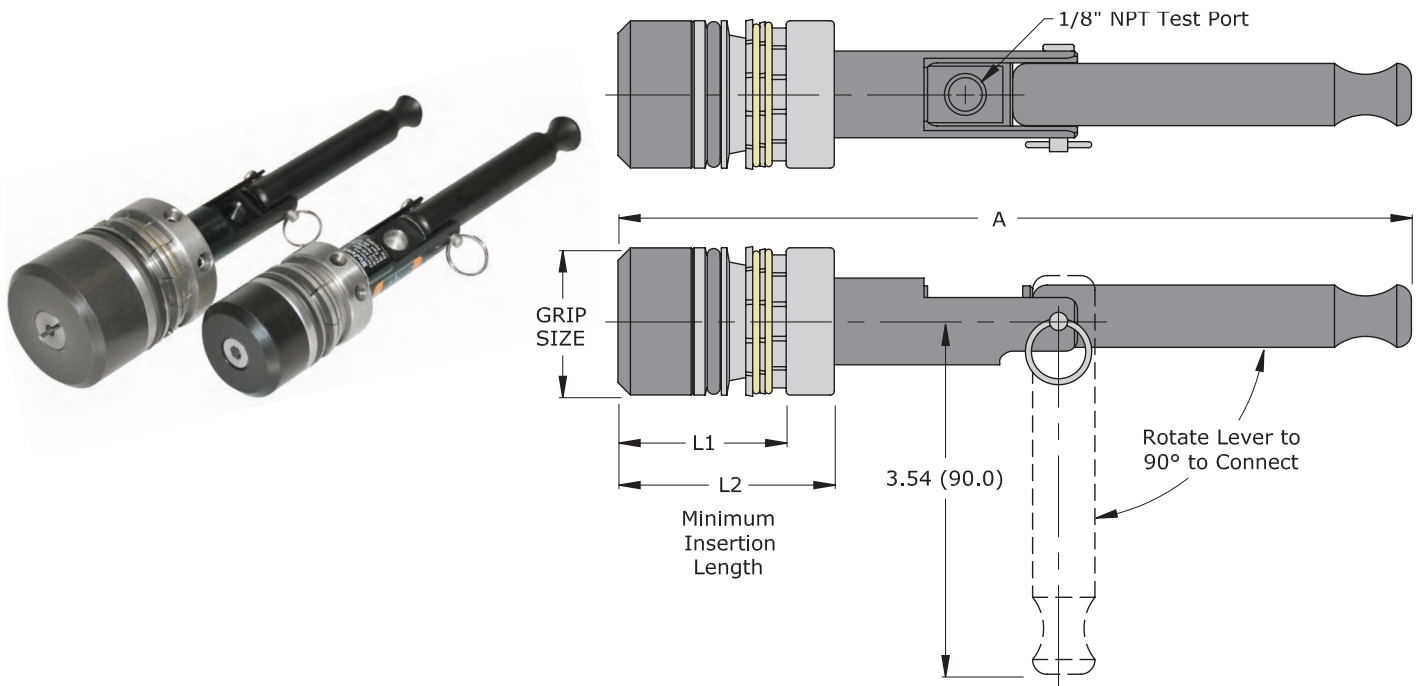
JNL0 and JNL1 - Lever Actuated Connectors for Internal Tubes / Bores

Part Number	Grip Size (+0.010”/-0.010”)	Rated PSI*	Flow Diameter	Dim L	Housing Materials	Seal Material	Main Seals Package (5)
JNL0-0375H	0.375”	Vacuum to 1000	0.11”	0.53”	Aluminum, Stainless Steel and Delrin	Neoprene	SN0-0375H
JNL0-0500H	0.500”						SN0-0500H
JNL1-0590	0.590”		0.17”	0.63”			SN1-0590
JNL1-0625	0.625”						SN1-0625
JNL1-0750	0.750”						SN1-0750
JNL1-0785	0.785”						SN1-0785
JNL1-0875	0.875”						SN1-0875

* Pressure rating based on the test piece having a surface finish greater than 16 rms and a hardness of no more than 95 Rb to grip and seal at the rated pressure. A surface finish of 8 rms may be acceptable if the test piece has a hardness no greater than 40 Rb.

“JNL” and “JXL” - Smooth Tube Connectors

FasTest “JNL” Series - Connectors for Internal Tube Grip and Seal Applications



JNL2 - Lever Actuated Connectors for Internal Tubes / Bores

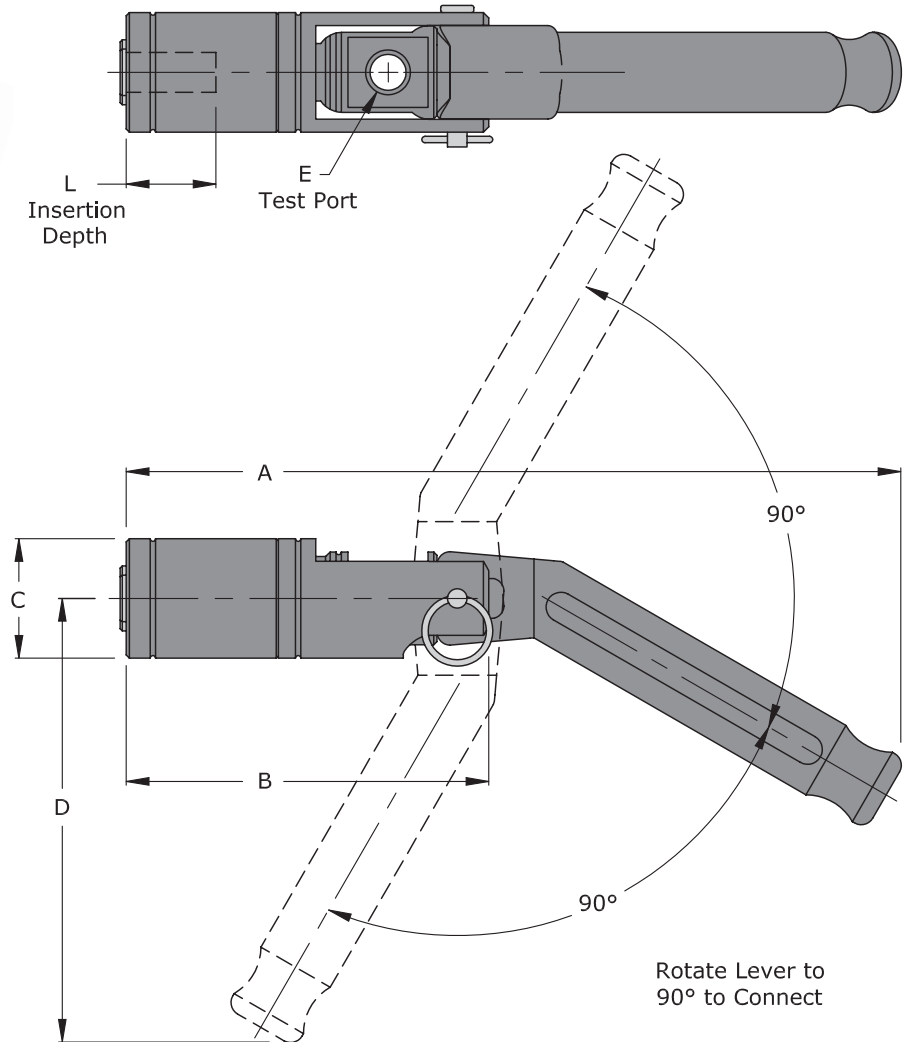
Part Number	Grip Size (+0.030”/-0.010”)	Rated PSI*	Flow Diameter	Dim A	Dim “L1”	Dim “L2”	Housing Materials	Seal Material	Main Seals Package (5)
JNL2-1000	1.000”	Vacuum to 750	0.17”	7.18”	1.31”	1.39”	Aluminum, Stainless Steel and Delrin	Neoprene	Consult Factory
JNL2-1125	1.125”								
JNL2-1250	1.250”		0.17”	7.30”	1.44”	1.51”			
JNL2-1375	1.375”								
JNL2-1500	1.500”		0.17”	7.91”	1.69”	2.12”			
JNL2-1625	1.625”								

* Pressure rating based on the test piece having a surface finish greater than 16 rms and a hardness of no more than 95 Rb to grip and seal at the rated pressure. A surface finish of 8 rms may be acceptable if the test piece has a hardness no greater than 40 Rb.

JNL - JXL

“JNL” and “JXL” - Smooth Tube Connectors

FasTest “JXL” Series - Connectors for External Tube Grip and Seal Applications



JXL0 and JXL1 - Lever Actuated Connectors for External Tubes

Part Number	Grip Size (±0.010")	Rated PSI*	Dim A	Dim B	Dim C	Dim D	Dim E	Dim L	Max. Flow Ø	Housing Materials	Seal Material	Main Seals Package (5)
JXL0-0250	0.250"	Vacuum to 1000	7.27 (184.7)	3.42 (86.9)	1.13 (28.8)	4.22 (107.2)	1/8" NPT	0.85 (21.6)	0.24 (6.0)	Aluminum, Stainless Steel and Delrin	Neoprene	SXL0-0250
JXL0-0312	0.312"											SXL0-0312
JXL0-0375	0.375"											SXL0-0375
JXL0-0500	0.500"											SXL0-0500
JXL1-0625	0.625"		SXL0-0625									
JXL1-0750	0.750"		SXL0-0750									
JXL1-0875	0.875"		SXL0-0875									
			7.27 (184.7)	3.42 (86.9)	1.62 (41.2)	4.22 (107.2)	1/4" NPT	0.85 (21.6)	0.27 (6.8)			

* Pressure rating based on metal test piece not exceeding 30 Rockwell C hardness. As a general guideline, surface must be 5 micro inches or greater. Surfaces less than 5 micro inches not recommended.

Need assistance finding replacement seals for your JNL or JXL connectors?

- Visit www.fastestinc.com and enter a part number in the “Search Part Number” field
- Click the “Learn More” button

1 results returned. The results include connectors and accessories (e.g., bulk seals and repair kits).

» Select one or more features of your connector application from the left column to narrow your search or enter a partial or complete part number in the Search Part Number box in the header above. [Click to view advanced search options](#)

Your Selections: **Part Number Search: JXL1-0750**

Application

Manufacturing (1)
Refrigeration (1)

Connection Type


External Tubes (1)

Connects To

0.750" (1)

Pressure Rating

1000 (1)





JXL1-0750
Lever actuated connector for grip and seal connection to external tubing of 0.750" +/- 0.010".

Product Family	Connection Type	Connection Method
JXL Series	External Tubes	Lever Actuated
Connects To	Pressure Rating	Termination
0.750"	1000	1/4" NPT (Female)

On-line Price: \$717.00

[LEARN MORE](#) [ADD TO CART](#) [ADD TO QUOTE](#)

- Select the “Related Products” tab to display seals, repair kits and replacement parts

JXL1-0750 On-line Price \$717.00

Lever actuated connector for grip and seal connection to external tubing of 0.750" +/- 0.010".

Product Family	Connection Type	Connection Method
JXL Series	External Tubes	Lever Actuated
Connects To	Pressure Rating	Termination
0.750"	1000	1/4" NPT (Female)

[ADD TO CART](#) [FIND A DEALER](#) [ADD TO QUOTE](#)


Overview

Specifications

Instructions

CAD Models

Related Products



SXL1-0750
Bulk pack - 5 seal replacements for JXL1-0750, Neoprene

[LEARN MORE](#)

“ST” and “XT” - Smooth & Formed Tube Connectors

Technology Overview

The **ST Series** connectors make reliable, leak tight connections with straight tubes for evacuation or pressure applications such as leak testing, proof testing and processing. The ergonomic sliding sleeve operation makes an instant connection that is further enhanced by pressure and without operator adjustments.

Rugged, heat treated steel components provide excellent resistance to mechanical handling damage but are not recommended for water dunk applications. The mating seal is radially squeezed around the tube upon connection and it is easily replaced without disassembly. The unique collet locking mechanism resists removal under pressure for added safety.

The **XT Series** connectors provide quick and effortless connections for expanded tubing especially copper, steel, and aluminum tubes that are used with refrigerant based products. These connectors utilize redundant seals on the inside of the tube, which is enhanced by pressure, and a sleeve lock which resists removal under pressure and requires no operator adjustments.

The XT's are manufactured from hardened steel material with seals that can be quickly replaced, without disassembly, at your work center minimizing downtime, maintenance and tool inventory. Neoprene seals are standard for refrigerant based applications but they are available with any elastomer required for your application.

Features and Benefits

“ST Series”

- Fits straight tubing sizes 1/4", 5/16", 3/8"
- Seals vacuum to 1000 psi, -40°F to +250°F
- Reliable leak tight sealing to 10⁻⁷ cc/sec
- Durable, replaceable seals with no connector disassembly
- Heat treated steel body assures long life and protection against mechanical damage
- Positive gripping - No operator adjustments!



For Smooth / Swaged Tubes

“XT Series”

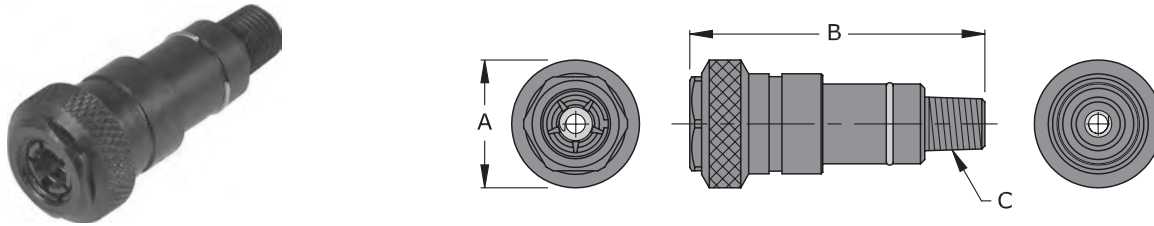
- Fits expanded tubing sizes 3/8", 1/2", 5/8", 3/4", 7/8"
- Seals vacuum to 625 psi, -40°F to +250°F
- Reliable leak tight sealing to 10⁻⁷ cc/sec
- Works well with tube size variation or rough cut ends
- Durable, replaceable seals with no connector disassembly
- Heat treated steel body assures long life and protection against mechanical damage
- Positive gripping - No operator adjustments!



For Formed / Expanded Tubes

“ST” and “XT” - Smooth & Formed Tube Connectors

FasTest “ST Series” - Connectors for External Smooth / Swaged Tubes

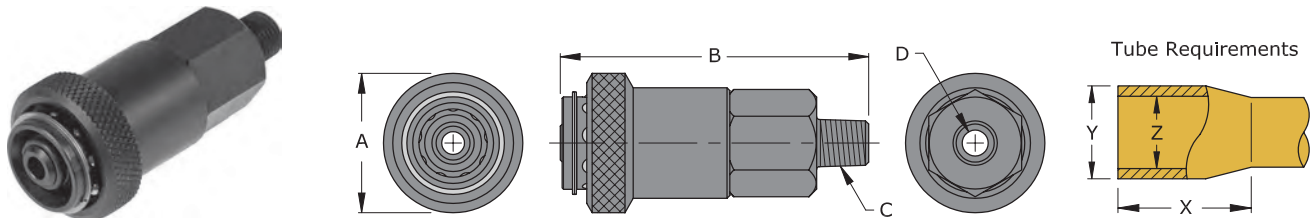


“ST Series” - Sleeve Actuated Connectors for Straight / Swaged Tubes

Part Number	Grip Size (+0.015”/-0.010”)	Rated PSI	Dim A	Dim B	Dim C	Insertion Depth	Seal Material	Replacement Collet Sets	Main Seals Package (5)
ST-04042	0.250”	Vacuum to 1000	1.14”	2.75”	1/4” NPT	0.62”	Neoprene	STC04	STB04
ST-05042	0.312”		1.19”					0.75”	STC05
ST-06042	0.375”		1.50”	3.23”		STC06		STB06	

Note: Not recommended for water dunk applications.

FasTest “XT Series” - Connectors for External Formed / Expanded Tubes



“XT Series” - Sleeve Actuated Connectors for Formed / Expanded Tubes

Part Number	Grip Size (±0.010”)	Rated PSI	Dim A	Dim B	Dim C	Flow Ø Dim D	Dim X	Dim Y	Dim Z	Seal Material	Repair Kit	Main Seals Package (5)
XT-06042	0.375”	Vacuum to 625	1.25”	3.31”	1/4” NPT	0.12”	0.30”-1.00”	0.500”	0.368”	Neoprene	XTR06	XTB06
XT-08042	0.500”		1.37”			0.22”		0.625”	0.491”		XTR08	XTB08
XT-10042	0.625”		1.50”	3.33”		0.25”	0.37”-1.00”	0.730”	0.616”		XTR10	XTB10
XT-12042	0.750”		1.62”			0.27”		0.858”	0.741”		XTR12	XTB12
XT-14042	0.875”		1.72”			0.28”	0.996”	0.867”	XTR14		XTB14	

Note: Not recommended for water dunk applications.

ST - XT

Need assistance finding replacement seals or collets for your ST or XT connectors?

- Visit www.fastestinc.com and enter a part number in the “Search Part Number” field
- Click the “Learn More” button

1 results returned. The results include connectors and accessories (e.g., bulk seals and repair kits).
 » Select one or more features of your connector application from the left column to narrow your search or enter a partial or complete part number in the Search Part Number box in the header above. Click to view advanced search options


Your Selections **Part Number Search: XT-08042**

Application
 Manufacturing (1)
 Refrigeration (1)

Connection Type
 External Tubes (1)

Connects To
 0.500" (1)

Pressure Rating
 625 (1)






XT-08042
 Connect to outside diameter of 1/2" expanded tubes +/- 0.010", sleeve actuated, 625 psi, Neoprene seals

Product Family	Connection Type	Connection Method
XT Series	External Tubes	Sleeve Actuated
Connects To	Pressure Rating	Termination
0.500"	625	1/4" NPT (Male)

On-line Price: \$314.00

[LEARN MORE](#) [ADD TO CART](#) [ADD TO QUOTE](#)

- Select the “Related Products” tab to display seals and replacement collets for the connector






XT-08042 On-line Price \$314.00
 Connect to outside diameter of 1/2" expanded tubes +/- 0.010", sleeve actuated, 625 psi, Neoprene seals

Product Family	Connection Type	Connection Method
XT Series	External Tubes	Sleeve Actuated
Connects To	Pressure Rating	Termination
0.500"	625	1/4" NPT (Male)

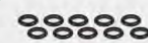
[ADD TO CART](#) [FIND A DEALER](#) [ADD TO QUOTE](#)

Overview Specifications Instructions CAD Models **Related Products**



XTR08
 Repair kit for XT-08042 connector

[LEARN MORE](#)



XTB08
 Bulk pack - 5 seal replacements for XT-08042, Neoprene

[LEARN MORE](#)

“60 and HPB Series” - Sleeve Actuated Connectors

Technology Overviews

The **60 Series** connectors have a sliding sleeve and threaded collet design for instantly sealed connections to 750 psi. The design incorporates an internal piston that seals the mating part and enhances the seal as pressure increases. Connections are made with a simple push and snap motion.

The internal sealing piston provides a straight through flow for minimal restriction and pressure loss. Standard products are manufactured in stainless steel with Buna N seals. Other seal materials and custom designs are available for all your applications.

The **HPB Series** connectors have a sliding sleeve and threaded collet design for instantly sealed connections to 5000 psi. The design is the ideal and preferred method for fast, safe and repeatable connections to NPT, “AN” SAE 37° flare and SAE 45° flare profile male threads. Additional models are available for compression fittings custom thread applications.

Simply push the connector on to the male threads to connect and pull sleeve away from connection to release. Standard products are manufactured in stainless steel with Buna N seals. Other seal materials and custom designs are available for all your applications.

Features and Benefits

“60 Series”

- Compatible to NPT, SAE 37° “AN” flare and SAE 45° flare male threads
- Instant connections from vacuum to 750 psi eliminate tape, sealant, wrenches and thread damage
- High flow design for short filling and testing times
- Rugged stainless steel housing
- -40°F to +250°F operating temperature



For External Threads

“HPB Series”

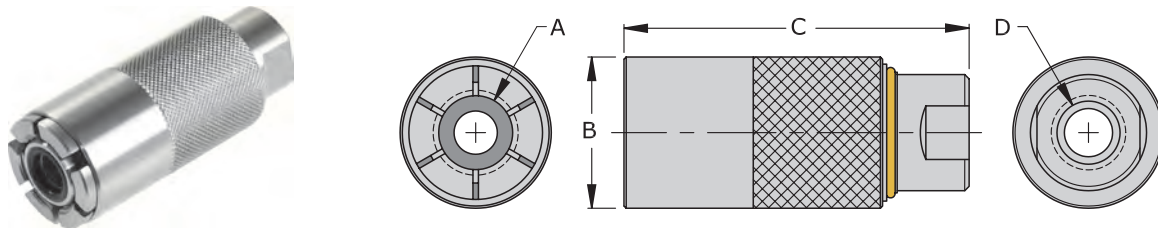
- Compatible to NPT, “AN” SAE 37° flare and SAE 45° flare male threads
- Instant connections from vacuum to 5000 psi eliminate tape, sealant, wrenches and thread damage
- Safety feature will not allow disconnect under pressure
- Split collet design locks securely
- Easy to replace main seal



For External Threads

“60 and HPB Series” - Sleeve Actuated Connectors

FasTest “60 Series” - Connectors for External Threads



“60 Series” Sleeve Actuated for NPT Threads (per SAE J476)

Part Number	Dim A	Dim B	Dim C	Dim D	Rated PSI	Housing Material	Seal Material	Main Seals Package (5)
60G-1T02	1/8" NPT	0.99"	2.95"	1/8" NPT	Vacuum to 750	Stainless Steel	Buna N	S1105-B70
60G-1T04	1/4" NPT	1.19"		1/4" NPT				S1109-B70
60G-1T06	3/8" NPT	1.38"		1/4" NPT				S1111-B70
60G-1T08	1/2" NPT	1.58"	1/2" NPT	S1112-B70				
60G-1T12	3/4" NPT	1.97"	1/2" NPT	Consult Factory				
60G-1T16	1" NPT	3.54"	3/4" NPT					

“60 Series” Sleeve Actuated for “AN” SAE 37° Flare Threads (per SAE J514)

Part Number	Dim A	Dim B	Dim C	Dim D	Rated PSI	Housing Material	Seal Material	Main Seals Package (5)
60G-049	-4 (7/16-20)	0.99"	2.95"	1/8" NPT	Vacuum to 750	Stainless Steel	Buna N	S1010-B70
60G-069	-6 (9/16-18)	1.19"		3/8" NPT				S1012-B70
60G-089	-8 (3/4-16)	1.58"	3.15"	3/8" NPT				S1014-B70
60G-109	-10 (7/8-14)	1.78"	3.54"	1/2" NPT				S1016-B70
60G-129	-12 (1 1/16-12)			3/4" NPT				Consult Factory
60G-169	-16 (1 5/15-12)	1.97"	3.54"	3/4" NPT				S1120-B70

“60 Series” Sleeve Actuated for SAE 45° Flare Threads (per SAE J512/513)

Part Number	Dim A	Dim B	Dim C	Dim D	Rated PSI	Housing Material	Seal Material	Main Seals Package (5)
60G-A04	-4 (7/16-20)	0.99"	2.95"	1/8" NPT	Vacuum to 750	Stainless Steel	Buna N	S2060-0246B70
60G-A06	-6 (5/8-18)	1.38"	3.15"	3/8" NPT				S1012-B70
60G-A08	-8 (3/4-16)							S1015-B70
60G-A10	-10 (7/8-14)	1.78"	3.54"	3/4" NPT				S1015-B70
60G-A12	-12 (1 1/16-14)							S1117-B70
60G-A14	-14 (1 1/4-12)	1.97"	3.54"	3/4" NPT				Consult Factory
60G-A16	-16 (1 3/8-12)							

Notes:

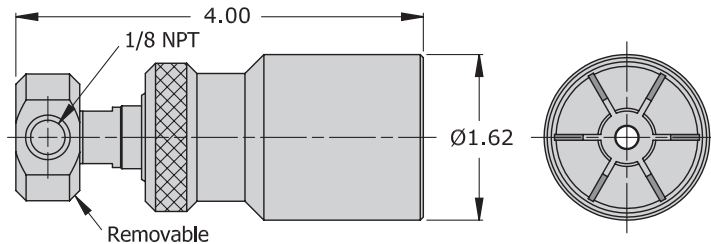
Additional sizes available for 60 Series connectors. Consult factory for details.

Optional seal materials available are FKM (Viton) and EPDM.

Examples: 60G-xxxV = FKM (Viton) 60G-xxxE = EPDM

“60 and HPB Series” - Sleeve Actuated Connectors

FasTest “HPB Series” - Connectors for External Threads / Compression Fittings



“HPB Series” Sleeve Actuated for NPT Threads (per SAE J476)

Part Number	Connects to	Termination Port	Rated PSI	Housing Material	Seal Material	Repair Kit	Main Seals Package (5)
HPB-041021	1/4" NPT	1/8" NPT	Vacuum to 5000	Stainless Steel	Buna N	HPBR	S1108-B70
HPB-061021	3/8" NPT						S1110-B70
HPB-081021	1/2" NPT						S1112-B70

“HPB Series” Sleeve Actuated for “AN” SAE 37° Flare Threads (per SAE J514)

Part Number	Connects to	Termination Port	Rated PSI	Housing Material	Seal Material	Repair Kit	Main Seals Package (5)
HPB-049021	- 4 (7/16-20)	1/8" NPT	Vacuum to 5000	Stainless Steel	Buna N	HPBR	S2070-0270B70
HPB-069021	- 6 (9/16-18)						S1012-B70
HPB-089021	- 8 (3/4-16)						S1015-B70

For Compression Fittings - Swagelok® or Equivalent

Part Number	Connects to	Termination Port	Rated PSI	Housing Material	Seal Material	Repair Kit	Main Seals Package (5)
HPB-CF04021	1/4" (7/16-20)	1/8" NPT	Vacuum to 5000	Stainless Steel	Buna N	HPBR	S1008-B70
HPB-CF06021	3/8" (9/16-20)						S1011-B70
HPB-CF08021	1/2" (3/4-20)						S1013-B70

For Compression Fittings - Ferulok® or Equivalent

Part Number	Connects to	Termination Port	Rated PSI	Housing Material	Seal Material	Repair Kit	Main Seals Package (5)
HPB-CF04021F	1/4" (7/16-20)	1/8" NPT	Vacuum to 5000	Stainless Steel	Buna N	HPBR	S1008-B70
HPB-CF06021F	3/8" (9/16-18)						S1011-B70
HPB-CF08021F	1/2" (3/4-16)						S1013-B70

Notes:

Optional seal materials available are FKM (Viton) and EPDM.

Examples: HPB-xxx021**V** = FKM (Viton) HPB-xxx021**E** = EPDM



- Connects to Internal Tubes / Threads



- Connects to External Tubes / Threads

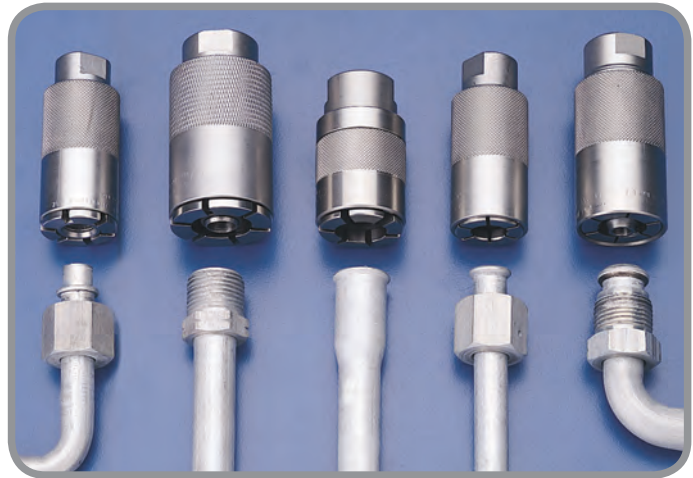
Custom Connectors

FasTest "70 Series" - Connectors for a Variety of Tube Features

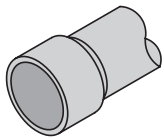
Technology Overview

The **70 Series** connectors have a sliding sleeve and threaded collet design for instantly sealed connections from vacuum to 750 psi. The design incorporates an internal piston that seals the mating part and enhances the seal as pressure increases. Connections are made with a simple push and snap motion.

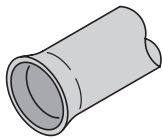
The internal sealing piston provides a straight through flow for minimal restriction and pressure loss. Standard products are manufactured in stainless steel with Buna N seals. Other seal materials and custom designs are available for all your applications.



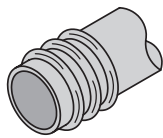
Features and Benefits



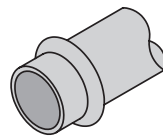
Expanded Tube



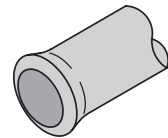
Flared Tube



Barbed Tube



Beaded Tube



Formed End Tube

- Connect to fittings, expanded, flared, barbed, beaded and formed end tubes
- Instant connections from vacuum to 750 psi eliminate tape, sealant, wrenches and part damage

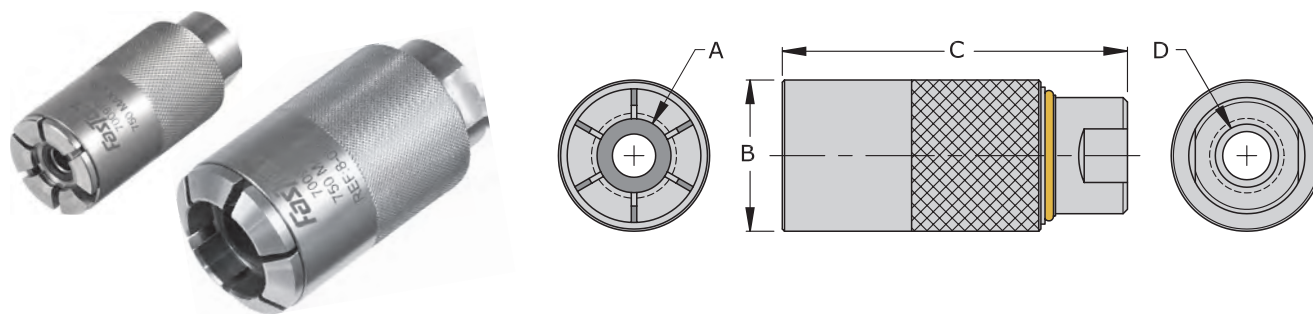
- High flow design for short filling and testing times
- Rugged stainless steel housing
- -40°F to +250°F operating temperature



For Custom External Connections

Custom Connectors

FasTest "70 Series" - Connectors for a Variety Fittings and Tubes



"70 Series" Sleeve Actuated for Expanded, Flared, Barbed, Beaded and Formed End Tubes

Body Size	Range (OD) Dim A	Dim B	Dim C	Dim D	Rated PSI	Housing Material	Seal Material	Main Seals Package (5)
1	Up to 0.32"	0.87"	2.95"	1/8" NPT	Vacuum to 750	Stainless Steel	Determined by application	Determined by application
2	0.32" to 0.43"	0.99"		1/4" NPT				
3	0.43" to 0.59"	1.19"		3/8" NPT				
4	0.59" to 0.79"	1.38"	3.15"	1/2" NPT				
5	0.79" to 0.98"	1.58"		3/4" NPT				
6	0.98" to 1.18"	1.78"	3.54"	1" NPT				
7	1.18" to 1.42"	1.97"		1-1/4" NPT				
8	1.42" to 1.65"	2.17"	3.54"					
9	1.65" to 1.85"	2.36"						
10	1.85" to 2.04"	2.76"						

How to Order

The 70 Series connectors are designed for mechanical gripping on a feature of the test piece and pressure enhanced sealing. Connectors are designed, engineered and manufactured to your specific application requirements.

For part number and a price quotation:

- 1) Identify the gripping and sealing areas of your test piece.
- 2) Contact FasTest with information on test pressure, media and provide detailed drawing, including tolerances of test piece.
- 3) Two sample parts will be required at the time of order for final design and testing purposes.



Custom Connectors

FasTest “MBE and MRE Series” Connectors for Expanded Tubes

Technology Overview



Custom, made to application samples and drawings required with application request.

The **MBE Series** (Ball Grip) and **MRE Series** (Ring Grip) connectors make reliable, leak tight connections for vacuum or pressure applications up to 625 psi. Designed for high flow applications such as run testing. Also ideal for helium leak testing, proof testing, pressure decay and other related processes. The sliding sleeve locks when pressurized to make safe secure instant connections with no operator adjustment.

To Connect: Insert the tube into the connector and push the external sleeve until it clicks into the locked position.

To Disconnect: Relieve pressure, push the connector toward the tube to release the safety lock and retract the external sleeve to withdraw the connector.

Features and Benefits



- High flow non-valved with pressure activated safety lock
- Unique design grips until pressure is dissipated, no operator adjustments for added safety
- Mating seal is easily replaced without disassembly cutting maintenance costs
- Ideal for high flow testing
- -40°F to +250°F operating temperature

“MBE and MRE Series” - Sleeve Actuated for Expanded Tubes - Sizing Guidelines

Body Size	Tube Ø	Expanded Tube Ø	Expansion Length Min.	Flow Ø	Termination (male)	Rated PSI	Housing Material	Seal Material	Main Seals Package (5)
04	1/4"	0.316 (8.03)	0.300 (7.62)	0.190 (4.82)	1/4" NPT	Vacuum to 625	Stainless Steel	Neoprene	Consult Factory
05	5/16"	0.382 (9.71)		0.248 (6.29)					
06	3/8"	0.444 (11.28)		0.311 (7.89)	3/8" NPT				
08	1/2"	0.570 (14.48)		0.436 (11.07)					
10	5/8"	0.700 (17.78)		0.555 (14.09)					
12	3/4"	0.840 (21.34)		0.666 (16.91)	3/4" NPT				
14	7/8"	0.970 (24.64)		0.785 (19.93)					
16	1"	1.120 (28.45)		0.940 (23.87)	1" NPT				
18	1-1/8"	1.230 (31.25)		1.025 (26.03)	1-1/4" NPT				
22	1-3/8"	1.490 (37.85)		1.265 (32.13)					

How to Order

The MBE and MRE Series connectors are designed for mechanical gripping on expanded tubing. Connectors are designed, engineered and manufactured to your specific application requirements.

For part number and a price quotation:

- 1) Identify the gripping and sealing areas of your test piece.
- 2) Contact FasTest with information on test pressure, media and provide detailed drawing, including tolerances of test piece.
- 3) Two sample parts will be required at the time of order for final design and testing purposes.

Custom Connectors

FasTest “FE Series” - Connectors for Special Tube Applications

Technology Overview

The **FE Series** connectors can be customized to accommodate unique shaped tubing or multiple tube sealing configurations. Whether the requirement is for manual or automated sealing these custom connectors can make quick work of what used to be a tedious task.

These connectors are air-actuated and are ideal for automation to accommodate high volume production testing. Compressed air activates the elastomeric seals.

The uniform seal movement makes a virtually leak-proof connection, even over threaded, rough and oily surfaces. Testing, filling or flushing of the test piece is accomplished by introducing media through the **FasTest** connector.

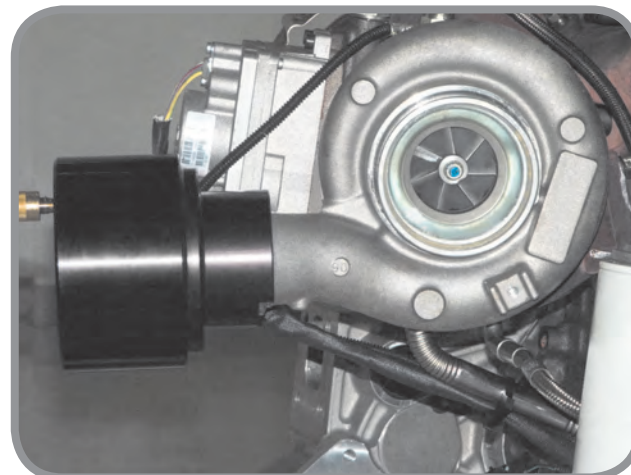


FasTest “FEG Series” - Connectors for Alternative Manual Mounting

Technology Overview

The **FEG Series** custom connectors are an excellent option for applications where the connectors need to be manually inserted into sealing position. Leveraging the patented FE style technology with the addition of a yoke style shaft allows the user to manually insert the connector into the application where permanent or automated mounting options are limited.

The design of the yoke style shaft is quickly mounted by placing the connector onto a feature of the test piece. The connector essentially hangs in position and is then air-actuated to move the internal piston toward the test piece and create a face seal for leak or pressure testing. These connectors are commonly used in automotive engine leak tests.



Custom Connectors

FasTest "FIG Series" - Connectors for Grip and Internal Sealing Applications

Technology Overview

The **FIG Series** custom connectors are for sealing rough case or out of round ports with a bead for openings as large as 6" in diameter. Primarily designed for the diesel engine industry, the connectors feature a unique system that seals on the internal surface while gripping on the exterior. Mechanically gripping to the external bead while the pneumatically operated elastomer compresses into the ID and provides a leak tight connection.

This is ideal for applications where mounting the connector is not practical or desirable. The FIG is easy to use since no operator adjustment is needed and the new gripping

feature virtually eliminates the possibility of accidental disengagement. Each FIG is configured to meet your requirements with pressure capabilities ranging from vacuum to 120 psi.



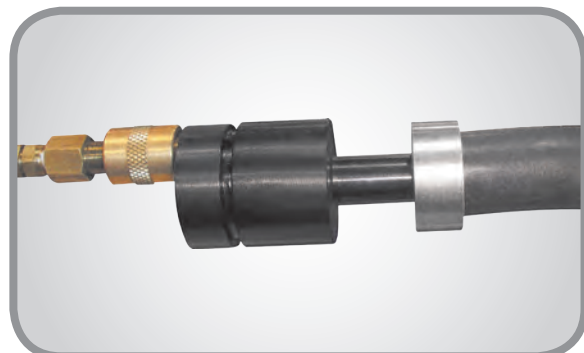
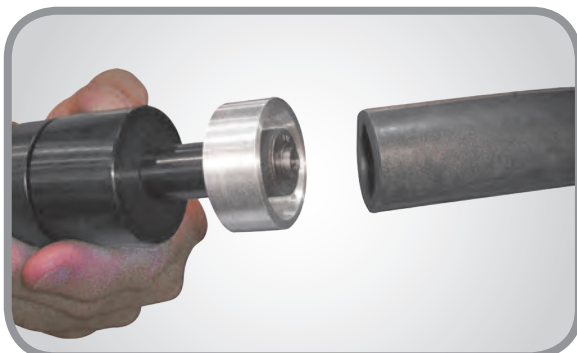
FasTest "FIH Series" - Connectors for Internal Flexible Hose Sealing Applications

Technology Overview

The **FIH Series** custom connectors are an ideal solution for applications where sealing and testing flexible hoses is required. Whether the requirement is for manual or automated sealing of automotive radiator hoses or plastic tubing assemblies, the FIH Series connectors make quick work of what used to be a tedious task.

Simply insert your flexible hose or tube into the shroud of the FIH and apply pressure. The shroud is sized to your hose or tubing OD.

The expanding seal provides a leak-tight connection and compresses the hose or tube against the shroud providing the needed gripping.



*Date: _____

Application Evaluation Sheet

Evaluation and design will be based on information provided.
Please provide as much detail as possible.

*Company: _____ *Phone: _____

*Contact: _____ *Fax: _____

*Address: _____ *E-mail: _____

*City: _____ *State: _____ *Zip Code: _____

Product Manufactured: _____

1. Testing Specifications

Test Pressure _____ Flow Required _____

Test Temperatures _____ Acceptable Leak Rate _____

Test Medium _____ Available Pilot Pressure _____

Number of Connectors Required _____

Type of Test: Bubble Leak Water Dunk Pressure Decay Proof Test Tracer Gas
 Mass Spectrometer - Helium Concentration Other _____

2. Type of Application

Automated Manual Pneumatically Operated - Fixtured (Seal Only) Twist and Seal
 Pneumatically Operated - Grip and Seal Pneumatically Operated Lever Action / Sleeve Locking
 Other _____

3. Part Specifications

***Required Field**

2 prints detailing all dimensions, tolerances, features.
 2 actual production parts that are quality assurance approved.

Identify Surface to be Sealed:

Machined Cast Threaded Other _____

Diameter to Seal _____ Internal External

Identify Gripping Surface:

(Grip and Seal Connectors Only)

Smooth Tube Beaded Tube Flared Tube Threaded Tube

Other _____

Diameter to Grip _____ Internal External

Hardness _____ *Date: _____

Note:

Index contains all published connectors and unique seal part numbers for products such as the FE and FI series. Common seals and repair kits used in multiple connectors such as TwistMate are not listed here. All replacement seals and repair kits can be found on pages with the connectors.

60G-1T02H2	ETS-2E-0510-MC12	ETS-S0130C11	FE2-26URA18
60G-1T04H2	ETS-2E-0510-UC13	ETS-S0130MC11	FE2-27A16
60G-1T06H2	ETS-2E-0512C12	FE001-001A16	FE2-27URA18
60G-1T08H2	ETS-2E-0512-UC13	FE1-1/4 NPTA20	FE2-28A16
60G-1T12H2	ETS-2E-0591C12	FE01-1/8 NPTA20, A22	FE2-28URA18
60G-1T16H2	ETS-2E-0591-UC13	FE001-001URA18	FE2-29A16
60G-049H2	ETS-2E-0669C12	FE001-002A16	FE2-29URA18
60G-069H2	ETS-2E-0669-UC13	FE001-002URA18	FE2-T21URA22
60G-089H2	ETS-2E-0750C12	FE01-03A16	FE2-T22URA22
60G-109H2	ETS-2E-0750-UC13	FE1-3/8 NPTA20	FE2-T23URA22
60G-129H2	ETS-2E-0827C12	FE01-03URA18	FE2-T24URA22
60G-169H2	ETS-2E-0827-UC13	FE01-04A16	FE2-T25URA22
60G-A04H2	ETS-2E-T012C13	FE01-04URA18	FE2-T0760URA21
60G-A06H2	ETS-2E-T025C13	FE01-05A16	FE2-T0800URA21, A22
60G-A08H2	ETS-2E-T038C13	FE01-05URA18	FE2-T0885URA21
60G-A10H2	ETS-2I-0394C9	FE1-15A16	FE2-T1010URA21
60G-A12H2	ETS-2I-0394-UC10	FE1-15URA18	FE2-T1075URA22
60G-A14H2	ETS-2I-0472C9	FE1-16A16	FE2-T1200URA21
60G-A16H2	ETS-2I-0472-UC10	FE1-16URA18	FE2-T1260URA21
70 SeriesJ1	ETS-2I-0551C9	FE1-17A16	FE2-T1320URA22
A02M3A10	ETS-2I-0551-UC10	FE1-17URA18	FE2-T1385URA21
A02M4A10	ETS-2I-0630C9	FE1-18A16	FE2-T1400URA22
A02M5A10	ETS-2I-0630-UC10	FE1-18URA18	FE3-1 1/2 NPTA20
AT021RA10	ETS-2I-0709C9	FE1-19A16	FE3-1 1/4 NPTA20
ETS-1E-0050C11	ETS-2I-0709-UC10	FE1-19URA18	FE3-31A16
ETS-1E-0050-MC11	ETS-2I-0787C9	FE001-0050A16	FE3-31URA18
ETS-1E-0080C11	ETS-2I-0787-UC10	FE001-0050URA18	FE3-32A16
ETS-1E-0080-MC11	ETS-2I-0866C9	FE01-0450URA21	FE3-32URA18
ETS-1E-0130C11	ETS-2I-0866-UC10	FE1-0480URA22	FE3-33A16
ETS-1E-0130-MC11	ETS-2I-0945C9	FE1-0510URA21	FE3-33URA18
ETS-1I-0310C8	ETS-2I-0945-UC10	FE1-0570URA21, A22	FE3-34A16
ETS-1I-0310-UC8	ETS-2I-1024C9	FE1-0640URA21, A22	FE3-34URA18
ETS-1I-0330C8	ETS-2I-1024-UC10	FE1-0700URA21	FE3-T1440URA22
ETS-1I-0330-UC8	ETS-2I-1102C9	FE1-0720URA22	FE3-T1460URA21
ETS-1I-T012C8	ETS-2I-1102-UC10	FE2-1/2 NPTA20	FE3-T1595URA22
ETS-2E-0180C12	ETS-2I-1181C9	FE2-1 NPTA20, A21	FE3-T1640URA21
ETS-2E-0180-MC12	ETS-2I-1181-UC10	FE2-3/4 NPTA20, A21	FE3-T1675URA22
ETS-2E-0180-UC13	ETS-2I-1260C9	FE2-21A16	FE3-T1710URA21
ETS-2E-0260C12	ETS-2I-1260-UC10	FE2-21URA18	FE3-T1790URA22
ETS-2E-0260-MC12	ETS-2I-T025C10	FE2-22A16	FE3-T1890URA21
ETS-2E-0260-UC13	ETS-2I-T038C10	FE2-22URA18	FE4-2 1/2 NPTA20
ETS-2E-0340C12	ETS-2I-T050C10	FE2-23A16	FE4-2 NPTA20
ETS-2E-0340-MC12	ETS-2I-T075C10	FE2-23URA18	FE4-41A17
ETS-2E-0340-UC13	ETS-2I-T100C10	FE2-24A16	FE4-41URA19
ETS-2E-0420C12	ETS-S0050C11	FE2-24URA18	FE4-42A17
ETS-2E-0420-MC12	ETS-S0050MC11	FE2-25A16	FE4-42URA19
ETS-2E-0420-UC13	ETS-S0080C11	FE2-25URA18	FE4-43A17
ETS-2E-0510C12	ETS-S0080MC11	FE2-26A16	FE4-43URA19

Part Number Index / Reference Information

Note:

Index contains all published connectors and unique seal part numbers for products such as the FE and FI series. Common seals and repair kits used in multiple connectors such as TwistMate are not listed here. All replacement seals and repair kits can be found on pages with the connectors.

FE4-44A17	FE6-67URA19	FEB2-27A16	FEB4-44URA19
FE4-44URA19	FEB001-001A16	FEB2-27URA18	FEB4-45A17
FE4-45A17	FEB1-1/4 NPTA20	FEB2-28A16	FEB4-45URA19
FE4-45URA19	FEB01-1/8 NPTA20, A22	FEB2-28URA18	FEB4-46A17
FE4-46A17	FEB001-001URA18	FEB2-29A16	FEB4-46URA19
FE4-46URA19	FEB001-002A16	FEB2-29URA18	FEB4-47A17
FE4-47A17	FEB001-002URA18	FEB2-T21URA22	FEB4-47URA19
FE4-47URA19	FEB01-03A16	FEB2-T22URA22	FEB4-48A17
FE4-48A17	FEB1-3/8 NPTA20	FEB2-T23URA22	FEB4-48URA19
FE4-48URA19	FEB01-03URA18	FEB2-T24URA22	FEB4-49A17
FE4-49A17	FEB01-04A16	FEB2-T25URA22	FEB4-49URA19
FE4-49URA19	FEB01-04URA18	FEB2-T0760URA21	FEB4-T1910URA22
FE4-T1910URA22	FEB01-05A16	FEB2-T0800URA21, A22	FEB4-T2020URA21
FE4-T2020URA21	FEB01-05URA18	FEB2-T0885URA21	FEB4-T2070URA22
FE4-T2070URA22	FEB1-15A16	FEB2-T1010URA21	FEB4-T2380URA22
FE4-T2380URA22	FEB1-15URA18	FEB2-T1075URA22	FEB4-T2520URA21
FE4-T2520URA21	FEB1-16A16	FEB2-T1200URA21	FEB5-51A17
FE5-51A17	FEB1-16URA18	FEB2-T1260URA21	FEB5-51URA19
FE5-51URA19	FEB1-17A16	FEB2-T1320URA22	FEB5-52A17
FE5-52A17	FEB1-17URA18	FEB2-T1385URA21	FEB5-52URA19
FE5-52URA19	FEB1-18A16	FEB2-T1400URA22	FEB5-53A17
FE5-53A17	FEB1-18URA18	FEB3-1 1/2 NPTA20	FEB5-53URA19
FE5-53URA19	FEB1-19A16	FEB3-1 1/4 NPTA20	FEB5-54A17
FE5-54A17	FEB1-19URA18	FEB3-31A16	FEB5-54URA19
FE5-54URA19	FEB001-0050A16	FEB3-31URA18	FEB5-55A17
FE5-55A17	FEB001-0050URA18	FEB3-32A16	FEB5-55URA19
FE5-55URA19	FEB01-0450URA21	FEB3-32URA18	FEB5-56A17
FE5-56A17	FEB1-0480URA22	FEB3-33A16	FEB5-56URA19
FE5-56URA19	FEB1-0510URA21	FEB3-33URA18	FEB5-57A17
FE5-57A17	FEB1-0570URA21, A22	FEB3-34A16	FEB5-57URA19
FE5-57URA19	FEB1-0640URA21, A22	FEB3-34URA18	FEB5-58A17
FE5-58A17	FEB1-0700URA21	FEB3-T1440URA22	FEB5-58URA19
FE5-58URA19	FEB1-0720URA22	FEB3-T1460URA21	FEB5-59A17
FE5-59A17	FEB2-1/2 NPTA20	FEB3-T1595URA22	FEB5-59URA19
FE5-59URA19	FEB2-1 NPTA20, A21	FEB3-T1640URA21	FEB6-61A17
FE6-61A17	FEB2-3/4 NPTA20, A21	FEB3-T1675URA22	FEB6-61URA19
FE6-61URA19	FEB2-21A16	FEB3-T1710URA21	FEB6-62A17
FE6-62A17	FEB2-21URA18	FEB3-T1790URA22	FEB6-62URA19
FE6-62URA19	FEB2-22A16	FEB3-T1890URA21	FEB6-63A17
FE6-63A17	FEB2-22URA18	FEB4-2 1/2 NPTA20	FEB6-63URA19
FE6-63URA19	FEB2-23A16	FEB4-2 NPTA20	FEB6-64A17
FE6-64A17	FEB2-23URA18	FEB4-41A17	FEB6-64URA19
FE6-64URA19	FEB2-24A16	FEB4-41URA19	FEB6-65A17
FE6-65A17	FEB2-24URA18	FEB4-42A17	FEB6-65URA19
FE6-65URA19	FEB2-25A16	FEB4-42URA19	FEB6-66A17
FE6-66A17	FEB2-25URA18	FEB4-43A17	FEB6-66URA19
FE6-66URA19	FEB2-26A16	FEB4-43URA19	FEB6-67A17
FE6-67A17	FEB2-26URA18	FEB4-44A17	FEB6-67URA19

Note:

Index contains all published connectors and unique seal part numbers for products such as the FE and FI series. Common seals and repair kits used in multiple connectors such as TwistMate are not listed here. All replacement seals and repair kits can be found on pages with the connectors.

FEG Series - Custom J4	FES2-27UR A18	FES4-45 A17	FI01-01 A11
FES001-001 A16	FES2-28 A16	FES4-45UR A19	FI1-1/4NPT A13
FES1-1/4 NPT A20	FES2-28UR A18	FES4-46 A17	FI01-1/8NPT A13
FES01-1/8 NPT A20, A22	FES2-29 A16	FES4-46UR A19	FI01-01UR A12
FES001-001UR A18	FES2-29UR A18	FES4-47 A17	FI01-4SAE A14
FES001-002 A16	FES2-T21UR A22	FES4-47UR A19	FI1-5SAE A14
FES001-002UR A18	FES2-T22UR A22	FES4-48 A17	FI1-6SAE A14
FES01-03 A16	FES2-T23UR A22	FES4-48UR A19	FI1-11 A11
FES1-3/8 NPT A20	FES2-T24UR A22	FES4-49 A17	FI1-11UR A12
FES01-03UR A18	FES2-T25UR A22	FES4-49UR A19	FI1-12 A11
FES01-04 A16	FES2-T0760UR A21	FES4-T1910UR A22	FI1-12UR A12
FES01-04UR A18	FES2-T0800UR A21, A22	FES4-T2020UR A21	FI1-13 A11
FES01-05 A16	FES2-T0885UR A21	FES4-T2070UR A22	FI1-13UR A12
FES01-05UR A18	FES2-T1010UR A21	FES4-T2380UR A22	FI01-0300 A11
FES1-15 A16	FES2-T1075UR A22	FES4-T2520UR A21	FI01-0300UR A12
FES1-15UR A18	FES2-T1200UR A21	FES5-51 A17	FI01-M10 A15
FES1-16 A16	FES2-T1260UR A21	FES5-51UR A19	FI1-M12 A15
FES1-16UR A18	FES2-T1320UR A22	FES5-52 A17	FI1-M14 A15
FES1-17 A16	FES2-T1385UR A21	FES5-52UR A19	FI1-M16 A15
FES1-17UR A18	FES2-T1400UR A22	FES5-53 A17	FI2-1/2NPT A13
FES1-18 A16	FES3-1 1/2 NPT A20	FES5-53UR A19	FI2-3/8NPT A13
FES1-18UR A18	FES3-1 1/4 NPT A20	FES5-54 A17	FI2-7SAE A14
FES1-19 A16	FES3-31 A16	FES5-54UR A19	FI2-21 A11
FES1-19UR A18	FES3-31UR A18	FES5-55 A17	FI2-21UR A12
FES001-0050 A16	FES3-32 A16	FES5-55UR A19	FI2-22 A11
FES001-0050UR A18	FES3-32UR A18	FES5-56 A17	FI2-22UR A12
FES01-0450UR A21	FES3-33 A16	FES5-56UR A19	FI2-23 A11
FES1-0480UR A22	FES3-33UR A18	FES5-57 A17	FI2-23UR A12
FES1-0510UR A21	FES3-34 A16	FES5-57UR A19	FI2-M18 A15
FES1-0570UR A21, A22	FES3-34UR A18	FES5-58 A17	FI2-M20 A15
FES1-0640UR A22	FES3-T1440UR A22	FES5-58UR A19	FI2-M22 A15
FES1-0720UR A22	FES3-T1460UR A21	FES5-59 A17	FI3-3/4NPT A13
FES2-1/2 NPT A20	FES3-T1595UR A22	FES5-59UR A19	FI3-8SAE A14
FES2-1 NPT A20, A21	FES3-T1640UR A21	FES6-61 A17	FI3-9SAE A14
FES2-3/4 NPT A20, A21	FES3-T1675UR A22	FES6-61UR A19	FI3-31 A11
FES2-21 A16	FES3-T1710UR A21	FES6-62 A17	FI3-31UR A12
FES2-21UR A18	FES3-T1790UR A22	FES6-62UR A19	FI3-32 A11
FES2-22 A16	FES3-T1890UR A21	FES6-63 A17	FI3-32UR A12
FES2-22UR A18	FES4-2 1/2 NPT A20	FES6-63UR A19	FI3-33 A11
FES2-23 A16	FES4-2 NPT A20	FES6-64 A17	FI3-33UR A12
FES2-23UR A18	FES4-41 A17	FES6-64UR A19	FI3-M24 A15
FES2-24 A16	FES4-41UR A19	FES6-65 A17	FI3-M26 A15
FES2-24UR A18	FES4-42 A17	FES6-65UR A19	FI3-M27 A15
FES2-25 A16	FES4-42UR A19	FES6-66 A17	FI3-M28 A15
FES2-25UR A18	FES4-43 A17	FES6-66UR A19	FI4-1NPT A13
FES2-26 A16	FES4-43UR A19	FES6-67 A17	FI4-10SAE A14
FES2-26UR A18	FES4-44 A17	FES6-67UR A19	FI4-11SAE A14
FES2-27 A16	FES4-44UR A19	FE Series - Custom J4	FI4-41 A11

Part Number Index / Reference Information

Note:

Index contains all published connectors and unique seal part numbers for products such as the FE and FI series. Common seals and repair kits used in multiple connectors such as TwistMate are not listed here. All replacement seals and repair kits can be found on pages with the connectors.

F14-41URA12	FIB1-6SAEA14	FIB4-M33A15	FIS1-12URA12
F14-42A11	FIB1-11A11	FIB4-M36A15	FIS1-13A11
F14-42URA12	FIB1-11URA12	FIB5-1 1/4NPTA13	FIS1-13URA12
F14-43A11	FIB1-12A11	FIB5-12SAEA14	FIS01-0300A11
F14-43URA12	FIB1-12URA12	FIB5-51A11	FIS01-0300URA12
F14-M30A15	FIB1-13A11	FIB5-51URA12	FIS01-M10A15
F14-M33A15	FIB1-13URA12	FIB5-52A11	FIS1-M12A15
F14-M36A15	FIB01-0300A11	FIB5-52URA12	FIS1-M14A15
F15-1 1/4NPTA13	FIB01-0300URA12	FIB5-53A11	FIS1-M16A15
F15-12SAEA14	FIB01-M10A15	FIB5-53URA12	FIS2-1/2NPTA13
F15-51A11	FIB1-M12A15	FIB5-M42A15	FIS2-3/8NPTA13
F15-51URA12	FIB1-M14A15	FIB6-1 1/2NPTA13	FIS2-7SAEA14
F15-52A11	FIB1-M16A15	FIB6-13SAEA14	FIS2-21A11
F15-52URA12	FIB2-1/2NPTA13	FIB6-61A11	FIS2-21URA12
F15-53A11	FIB2-3/8NPTA13	FIB6-61URA12	FIS2-22A11
F15-53URA12	FIB2-7SAEA14	FIB6-62A11	FIS2-22URA12
F15-M42A15	FIB2-21A11	FIB6-62URA12	FIS2-23A11
F16-1 1/2NPTA13	FIB2-21URA12	FIB6-63A11	FIS2-23URA12
F16-13SAEA14	FIB2-22A11	FIB6-63URA12	FIS2-M18A15
F16-61A11	FIB2-22URA12	FIB6-M48A15	FIS2-M20A15
F16-61URA12	FIB2-23A11	FIB7-2 1/2NPTA13	FIS2-M22A15
F16-62A11	FIB2-23URA12	FIB7-2NPTA13	FIS3-3/4NPTA13
F16-62URA12	FIB2-M18A15	FIB7-14SAEA14	FIS3-8SAEA14
F16-63A11	FIB2-M20A15	FIB7-71A11	FIS3-9SAEA14
F16-63URA12	FIB2-M22A15	FIB7-71URA12	FIS3-31A11
F16-M48A15	FIB3-3/4NPTA13	FIB7-72A11	FIS3-31URA12
F17-2 1/2NPTA13	FIB3-8SAEA14	FIB7-72URA12	FIS3-32A11
F17-2NPTA13	FIB3-9SAEA14	FIB7-73A11	FIS3-32URA12
F17-14SAEA14	FIB3-31A11	FIB7-73URA12	FIS3-33A11
F17-71A11	FIB3-31URA12	FIB7-M60A15	FIS3-33URA12
F17-71URA12	FIB3-32A11	FIB8-81A11	FIS3-M24A15
F17-72A11	FIB3-32URA12	FIB8-81URA12	FIS3-M26A15
F17-72URA12	FIB3-33A11	FIB8-82A11	FIS3-M27A15
F17-73A11	FIB3-33URA12	FIB8-82URA12	FIS3-M28A15
F17-73URA12	FIB3-M24A15	FIB8-83A11	FIS4-1NPTA13
F17-M60A15	FIB3-M26A15	FIB8-83URA12	FIS4-10SAEA14
F18-81A11	FIB3-M27A15	FIG Series - CustomJ5	FIS4-11SAEA14
F18-81URA12	FIB3-M28A15	FIH Series - CustomJ5	FIS4-41A11
F18-82A11	FIB4-1NPTA13	FIS01-01A11	FIS4-41URA12
F18-82URA12	FIB4-10SAEA14	FIS1-1/4NPTA13	FIS4-42A11
F18-83A11	FIB4-11SAEA14	FIS01-1/8NPTA13	FIS4-42URA12
F18-83URA12	FIB4-41A11	FIS01-01URA12	FIS4-43A11
FIB01-01A11	FIB4-41URA12	FIS01-4SAEA14	FIS4-43URA12
FIB1-1/4NPTA13	FIB4-42A11	FIS1-5SAEA14	FIS4-M30A15
FIB01-1/8NPTA13	FIB4-42URA12	FIS1-6SAEA14	FIS4-M33A15
FIB01-01URA12	FIB4-43A11	FIS1-11A11	FIS4-M36A15
FIB01-4SAEA14	FIB4-43URA12	FIS1-11URA12	FIS5-1 1/4NPTA13
FIB1-5SAEA14	FIB4-M30A15	FIS1-12A11	FIS5-12SAEA14

Note:

Index contains all published connectors and unique seal part numbers for products such as the FE and FI series. Common seals and repair kits used in multiple connectors such as TwistMate are not listed here. All replacement seals and repair kits can be found on pages with the connectors.

FIS5-51.....A11	FNL-188061.....E6	HPB-CF06021.....H3	MES001-002.....B2
FIS5-51UR.....A12	FNL-228081.....E6	HPB-CF06021F.....H3	MES01-03.....B2
FIS5-52.....A11	FNP-022021.....E10	HPB-CF08021.....H3	MES01-04.....B2
FIS5-52UR.....A12	FNP-026021.....E10	HPB-CF08021F.....H3	MES01-05.....B2
FIS5-53.....A11	FNP-042041.....E10	JNL0-0375H.....F3	MES001-0030.....B2
FIS5-53UR.....A12	FNP-044021.....E10	JNL0-0500H.....F3	MES001-0050.....B2
FIS5-M42.....A15	FNP-046041.....E10	JNL1-0590.....F3	MET-04A042B.....D13
FIS6-1 1/2NPT.....A13	FNP-054041.....E10	JNL1-0625.....F3	MET-06A062N.....D13
FIS6-13SAE.....A14	FNP-062061.....E10	JNL1-0750.....F3	MET-08A082N.....D13
FIS6-61.....A11	FNP-064041.....E10	JNL1-0785.....F3	MET-10A082N.....D13
FIS6-61UR.....A12	FNP-066061.....E10	JNL1-0875.....F3	MET-12A122N.....D13
FIS6-62.....A11	FNP-082081.....E10	JNL2-1000.....F4	MET-021C.....D15
FIS6-62UR.....A12	FNP-084061.....E10	JNL2-1125.....F4	MET-025C.....D15
FIS6-63.....A11	FNP-086081.....E10	JNL2-1250.....F4	MET-025T022.....D14
FIS6-63UR.....A12	FNP-108021.....E10	JNL2-1375.....F4	MET-025TC.....D15
FIS6-M48.....A15	FNP-128041.....E10	JNL2-1500.....F4	MET-041C.....D15
FIS7-2 1/2NPT.....A13	FNP-148041.....E10	JNL2-1625.....F4	MET-045C.....D15
FIS7-2NPT.....A13	FNP-168061.....E10	JXL0-0250.....F5	MET-045T042.....D14
FIS7-14SAE.....A14	FNP-188061.....E10	JXL0-0312.....F5	MET-045TC.....D15
FIS7-71.....A11	FNP-228081.....E10	JXL0-0375.....F5	MET-061C.....D15
FIS7-71UR.....A12	FNV-022021.....E8	JXL0-0500.....F5	MET-065C.....D15
FIS7-72.....A11	FNV-026021.....E8	JXL1-0625.....F5	MET-065T062.....D14
FIS7-72UR.....A12	FNV-042041.....E8	JXL1-0750.....F5	MET-065TC.....D15
FIS7-73.....A11	FNV-044021.....E8	JXL1-0875.....F5	MET-081C.....D15
FIS7-73UR.....A12	FNV-046041.....E8	MBE Series - Custom.....J3	MET-085C.....D15
FIS7-M60.....A15	FNV-054041.....E8	ME001-001.....B2	MET-085T082.....D14
FIS8-81.....A11	FNV-062061.....E8	ME001-001M.....B2	MET-085TC.....D15
FIS8-81UR.....A12	FNV-064041.....E8	ME001-002.....B2	MET-021022.....D11
FIS8-82.....A11	FNV-066061.....E8	ME001-002M.....B2	MET-025022.....D14
FIS8-82UR.....A12	FNV-082081.....E8	ME01-03.....B2	MET-041042.....D11
FIS8-83.....A11	FNV-084061.....E8	ME01-03M.....B2	MET-041042-PT.....D12
FIS8-83UR.....A12	FNV-086081.....E8	ME01-04.....B2	MET-045042.....D14
FNL-022021.....E6	FNV-108021.....E8	ME01-04M.....B2	MET-061062.....D11
FNL-026021.....E6	FNV-128041.....E8	ME01-05.....B2	MET-061062-PT.....D12
FNL-042041.....E6	FNV-148041.....E8	ME01-05M.....B2	MET-065062.....D14
FNL-044021.....E6	FNV-168061.....E8	ME001-0030.....B2	MET-081082.....D11
FNL-046041.....E6	FNV-188061.....E8	ME001-0030M.....B2	MET-081082-PT.....D12
FNL-054041.....E6	FNV-228081.....E8	ME001-0050.....B2	MET-085082.....D14
FNL-062061.....E6	H012X036.....A10	ME001-0050M.....B2	MET-121122.....D11
FNL-064041.....E6	H012X072.....A10	MEB001-001.....B2	MET-121122-PT.....D12
FNL-066061.....E6	H022X018.....A10	MEB001-002.....B2	MET-161162.....D11
FNL-082081.....E6	H022X036.....A10	MEB01-03.....B2	MET-161162-PT.....D12
FNL-084061.....E6	H022X072.....A10	MEB01-04.....B2	MET-201202.....D11
FNL-086081.....E6	HPB-049021.....H3	MEB01-05.....B2	MET-201202-PT.....D12
FNL-108021.....E6	HPB-069021.....H3	MEB001-0030.....B2	MET-241161.....D11, D12
FNL-128041.....E6	HPB-089021.....H3	MEB001-0050.....B2	MET-321161.....D11, D12
FNL-148041.....E6	HPB-CF04021.....H3	MER001.....B2, B3	MET-401161.....D11, D12
FNL-168061.....E6	HPB-CF04021F.....H3	MES001-001.....B2	MET-481161.....D11, D12

Part Number Index / Reference Information

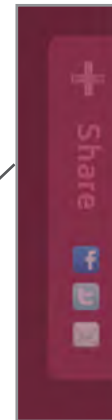
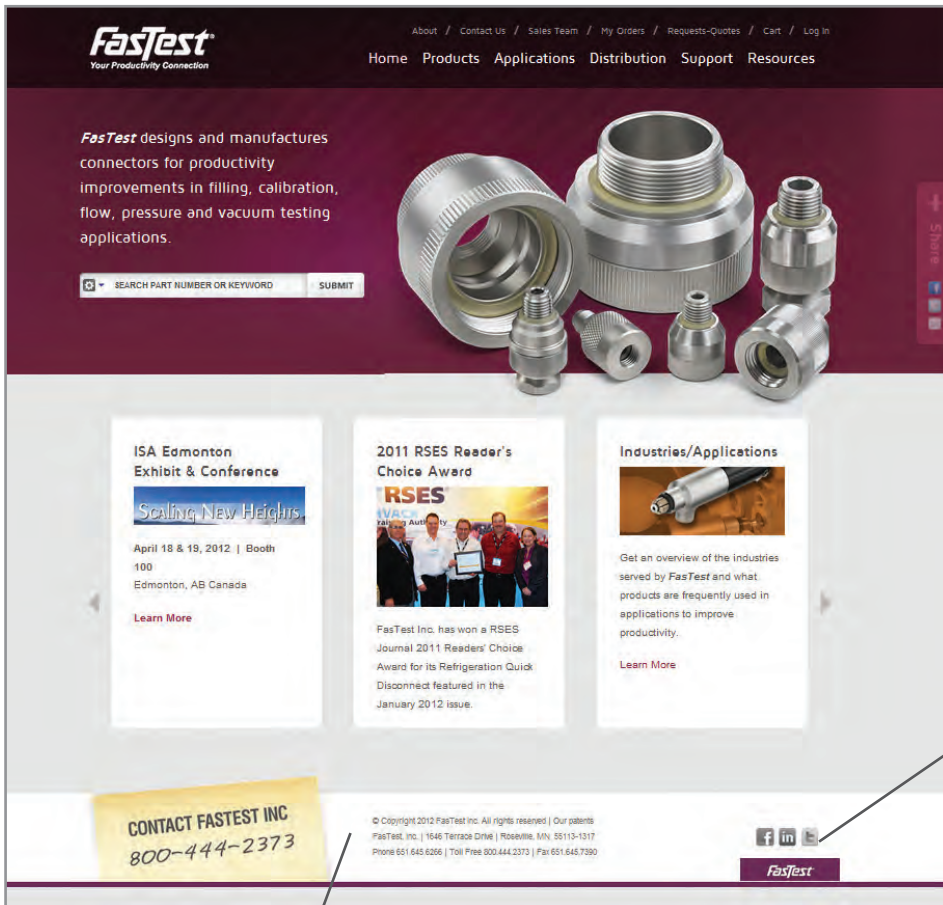
Note:

Index contains all published connectors and unique seal part numbers for products such as the FE and FI series. Common seals and repair kits used in multiple connectors such as TwistMate are not listed here. All replacement seals and repair kits can be found on pages with the connectors.

METH-021022D12	MIT-046PD9	MIT-204201XD6	STB04. G2
METH-041042D12	MIT-046T041D8	MIT-228081XD10	STB05. G2
METH-049040D13	MIT-046TPD9	MIT-242241XD4	STB06. G2
METH-061062D12	MIT-054041XD6	MIT-322161XD4	STC04 G2
METH-069060D13	MIT-062061D4	MIT-402161XD4	STC05 G2
METH-081082D12	MIT-062061XD4	MIT-482161XD4	STC06 G2
METH-089080D13	MIT-062PD9	MIT-642161XD4	TS1901.C14
METH-109100D13	MIT-064041XD6	MITC-022021X.D5	TS2901.C14
METH-121122D12	MIT-066061D7	MITC-042041X.D5	TSE00034.C4
METH-129120D13	MIT-066T061D8	MITH-022021X.D5	TSE00035.C4
METH-161162D12	MIT-082081D4	MITH-042041X.D5	TSE00038.C4
MIT-066PD9	MIT-082081XD4	MITH-044021X.D6	XT-06042 G2
MIT-066TPD9	MIT-082PD9	MITH-062061X.D5	XT-08042 G2
MIT-086PD9	MIT-084081XD6	MITH-064041X.D6	XT-10042 G2
MIT-086TPD9	MIT-086081D7	MITH-082081X.D5	XT-12042 G2
MIT-122PD9	MIT-086T081D8	MITH-084081X.D6	XT-14042 G2
MIT-126T121XD8	MIT-104081XD6	MITH-104081X.D6	XTB06. G2
MIT-162PD9	MIT-108021XD10	MITH-122121X.D5	XTB08. G2
MIT-166T161XD8	MIT-122121D4	MITH-124121X.D6	XTB10. G2
MIT-022021D4	MIT-122121XD4	MITH-144161X.D6	XTB12. G2
MIT-022021XD4	MIT-124121XD6	MITH-162161X.D5	XTB14. G2
MIT-022PD9	MIT-126121XD7	MITH-164161X.D6	XTR06 G2
MIT-026021D7	MIT-128041XD10	ML001-B3	XTR08 G2
MIT-026PD9	MIT-144161XD6	ML001- ... MB3	XTR10 G2
MIT-026T021D8	MIT-148041XD10	MRE Series - Custom.J3	XTR12 G2
MIT-026TPD9	MIT-162161D4	PB-1015A10	XTR14 G2
MIT-034021XD6	MIT-162161XD4	PBA-01.A10	
MIT-042041D4	MIT-164161XD6	PBA-02.A10	
MIT-042041XD4	MIT-166161XD7	PBH32A10	
MIT-042PD9	MIT-168061XD10	ST-04042 G2	
MIT-044021XD6	MIT-188061XD10	ST-05042 G2	
MIT-046041D7	MIT-202201XD4	ST-06042 G2	

Want to share information or follow FasTest in real time?

- Visit www.fastestinc.com home page and check out our social media capabilities



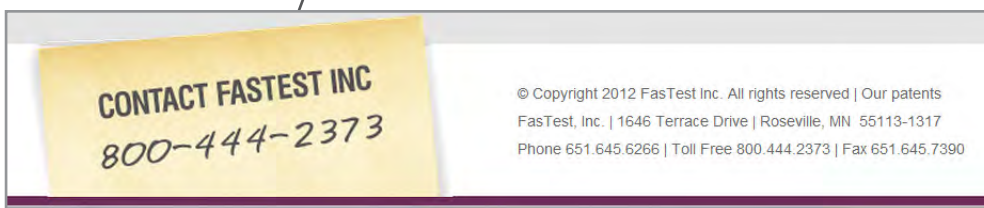
Find something you'd like to share?

Share any page on FasTest's website via Facebook, Twitter or email.



Want to keep up with us in real time? Follow us!

www.facebook.com/fastesilnc
 LinkedIn Groups: Fastest Inc.
 Twitter: @fastestinc




Have a question or custom application?

FasTest is available to support you in several areas of your application or purchase. From customer service to custom product applications our goal is to provide the best products for your application and best answers to your questions.

Need to request a quote or check on product availability?

- Visit www.fastestinc.com and add your selected products in the “Add to Quote” feature



FNL-082081 On-line Price \$713.00
Lever actuated, instant 5000 psi connection to 1/2" NPT female threads, Buna N seals

Product Family	Connection Type	Connection Method
FasMate	Internal Threads	Lever Actuated
Connects To	Pressure Rating	Termination
1/2" NPT	5000	1/2" NPT (Female)

[Overview](#)
[Specifications](#)
[Instructions](#)
[CAD Models](#)
[Related Products](#)

FasTest's FasMate series of lever, thumb valve and pneumatically actuated connectors are an ideal method for fast, safe and repeatable connections to all types of internal threads. Simply squeeze the lever, push the thumb valve or pneumatically operate the connector and insert into the threaded test port to get an instant leak tight and high pressure connection.

- Submit your list and comments directly to **FasTest** customer service using the form on the “Request-Quotes” page

Your Information Request List

Thank you for your interest in **FasTest** products. Below is a list of products and information you have expressed interest in.

You may add products to the list by clicking the button on the product search and detail pages. You may also add other items of interest, such as document or catalog requests, by clicking request information links throughout the site. You can remove items from the list by clicking the remove link in the list below.

Part Number	Details	Remove
FNL-082081	Lever actuated, instant 5000 psi connection to 1/2" NPT female threads, Buna N seals	remove
FI4-1NPT	Internal pneumatic connector and main seal set for sealing to 3/4" NPT female threads, Urethane seals	remove

Form Instructions

Complete the form below to send us your information request list. A **FasTest** representative will review your request and respond according to your contact preference.

First Name* Last Name*
 Title Company
 Address City*
 Country* State
 Postal Code Fax Preferred Method of Contact
 Phone* Email* Email Phone

We are looking for quantity of 10 pricing on these items and delivery times. Please have a distributor contact me with details.

Connector Refurbishment Program

ReConnect



Extend the service life and warranty of your investment - Our connector refurbishment and competitor replacement program delivers the latest product improvements and ensures proper connector operation and performance in your application. Connectors routinely maintained can be refurbished or replaced economically relative to the cost of a new connector replacement.

Visit www.fastestinc.com or contact **FasTest** for details.

Warranty

Limited Express Warranty

FasTest Inc. warrants its products against defects in workmanship and materials for 12 months from the date of sale by FasTest Inc. or its authorized distributors. This warranty is void if the product is misused, tampered with or used in a manner that is contrary to FasTest Inc.'s written recommendations and/or instructions.

FasTest Inc. does not warrant the suitability of the product for any particular application. Determining product application suitability is solely the customer's responsibility. FasTest Inc. is not liable for consequential or other damages including, but not limited to, loss, damage, personal injury, or any other expense directly or indirectly arising from the use of or inability to use its products either separately or in combination with other products.

ALL OTHER WARRANTIES EXPRESS OR IMPLIED, WHETHER ORAL, WRITTEN OR IN ANY OTHER FORM, INCLUDING BUT NOT LIMITED TO WARRANTIES OF MERCHANTABILITY OR FITNESS FOR A PARTICULAR PURPOSE ARE EXPRESSLY EXCLUDED.

The sole and exclusive remedy under this warranty is limited to replacement of the product or an account credit in the amount of the original selling price, at the option of FasTest Inc. All allegedly defective products must be returned prepaid transportation to FasTest Inc., together with information describing the product's performance, unless disposition in the field is authorized in writing by FasTest Inc.

Notifications and Copyright

Notifications and Copyright

Specifications in this brochure are subject to change without notice. FasTest also reserves the right to make modifications and makes no guarantee of the accuracy of the information contained herein.

© 2012 FasTest Inc. All rights reserved. No part of this publication may be reproduced without written permission.

Under Pressure To Calibrate Faster?



Make Connections Fast, Calibrate Faster!

- For transmitters, gauges and pressure sensing instruments
- No wrenches or thread sealants
- Eliminates thread damage
- Reduces contamination risks
- Twist-to-connect, sleeve and handle actuated connectors save time
- Leak-tight sealing from vacuum to 10,000 psi
- 1/8" to 1/2" NPT, AN37" flare, sanitary style flange and metric with additional sizes available

Improve your lab efficiency — calibration connection manifold for calibration of up to four instruments simultaneously!



IS YOUR PRESSURE TESTING PROCESS FULL OF HOLES?

Fast Connection Tools for Leak and Pressure Testing

- Increase Productivity & Accuracy
- Eliminate Unreliable Test Rigs
- Improve Safety & Reduce Injuries
- Hundreds of Connector Styles & Models
- Standard or Modified to Your Process

**100%
GUARANTEED**



FastTest®

Your Productivity Connection

1.800.444.2373
www.fastestinc.com

www.fastestinc.com
800.444.2373

FastTest®
Your Productivity Connection



Calibration Connectors

The **FasCal** complete line of plug and play connectors for lab and field instrument calibration without the use of tapes, sealants and wrenches.



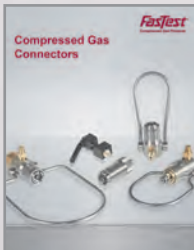
Medical Connectors

Versatile product line of connectors and systems for sealing and testing a wide variety of medical products and drug delivery devices.



Refrigeration Connections

The **CoreMax** system of high flow processing valves and connectors for the refrigeration manufacturing and service industry.



Compressed Gas Connectors

Innovative gas connectors for common CGA standards used in conventional and residual pressure valve filling applications.

Fastest[®]

1646 Terrace Drive • Roseville, MN 55113-1317

Phone: 651.645.6266 • Fax: 651.645.7390

Toll-free: 1.800.444.2373

www.fastestinc.com